



STINGER P3/P4(G031/G032)

PARTS CATALOG

PARTS CATALOG

INTRODUCTION

This chapter instructs you the numbers and names of parts on this machine.

INDEX to PARTS CATALOG

Stinger P3
Stinger P4
Envelope Feeder
Paper Feed Unit

(G031)
(G032)
(G913)
(G914/G915)

STINGER P3 (G031)

PARTS CATALOG

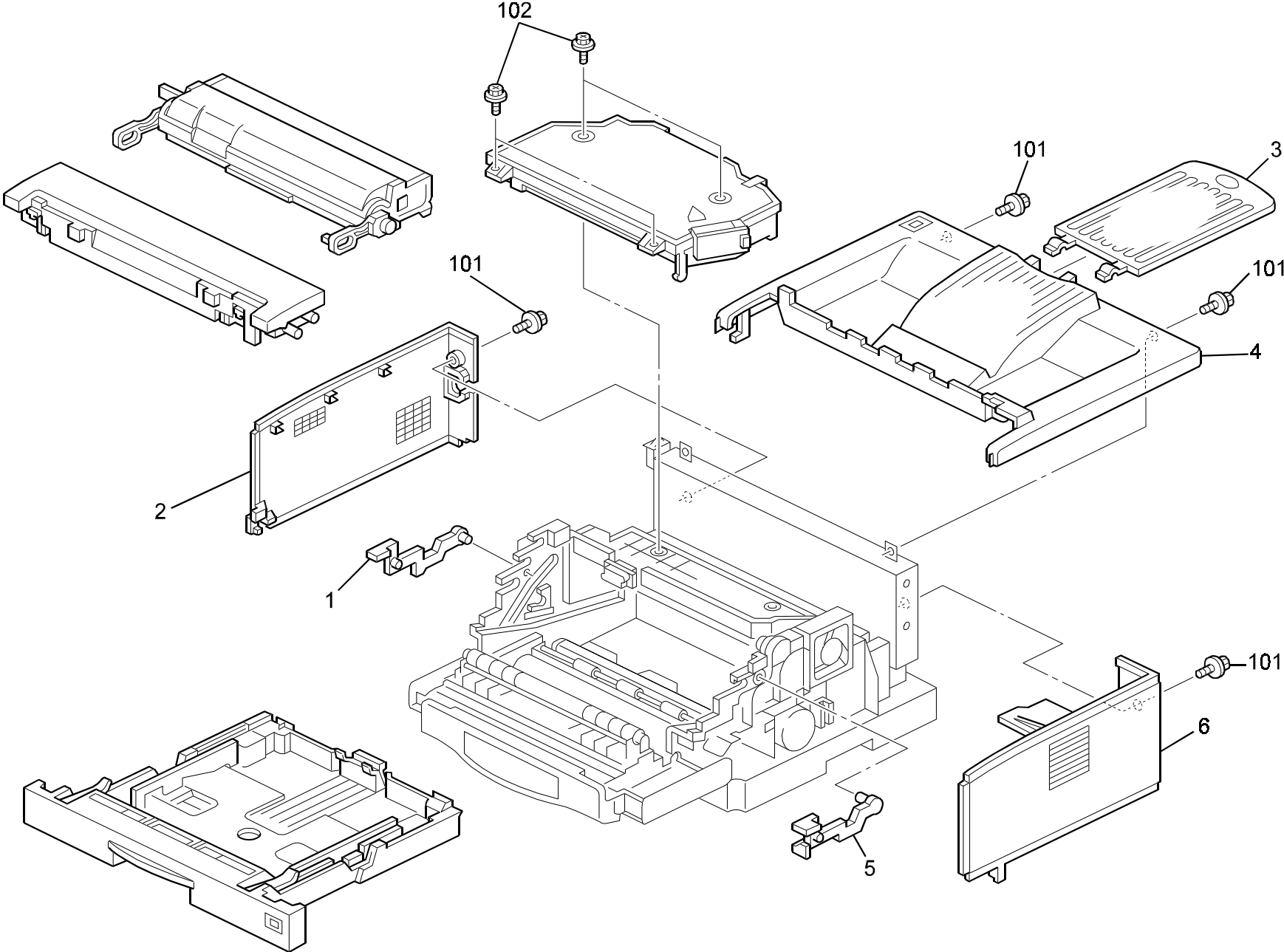
INTRODUCTION

This chapter instructs you the numbers and names of parts on this machine.

INDEX to PARTS CATALOG

1.EXTERIOR (G031).....	2
2.CASSETTE (G031)	4
3.BY-PASS FEED UNIT (G031).....	6
4.PAPER FEED UNIT (G031)	8
5.LD UNIT (G031)	10
6.FUSING UNIT (G031)	12
7.DRIVE SECTION (G031)	14
8.ELECTRICAL SECTION 1 (G031)	16
9.ELECTRICAL SECTION 2 (G031)	18
10.MAIN CONTROL BOARD (G031).....	20
11.ENGIN CONTROL BOARD (G031).....	24
12.DECAL AND DOCUMENT (G031)	28
13.SPECIAL TOOLS (G031)	30
PARTS INDEX	33

1.EXTERIOR (G031)



1.EXTERIOR (G031)

Index No.	Part No.	Description	Q'ty Per Assembly
1	G029 1091	Left Fusing Lever	1
2	G029 1261	Left Cover - LT	1
2	G029 1291	Left Cover A4	1
3	G029 1263	Exit Guide - LT	1
3	G029 1293	Exit Guide A4	1
4	G029 1260	Upper Cover	1
5	G029 1092	Right Fusing Lever	1
6	G029 1262	Right Cover - LT	1
6	G029 1292	Right Cover A4	1

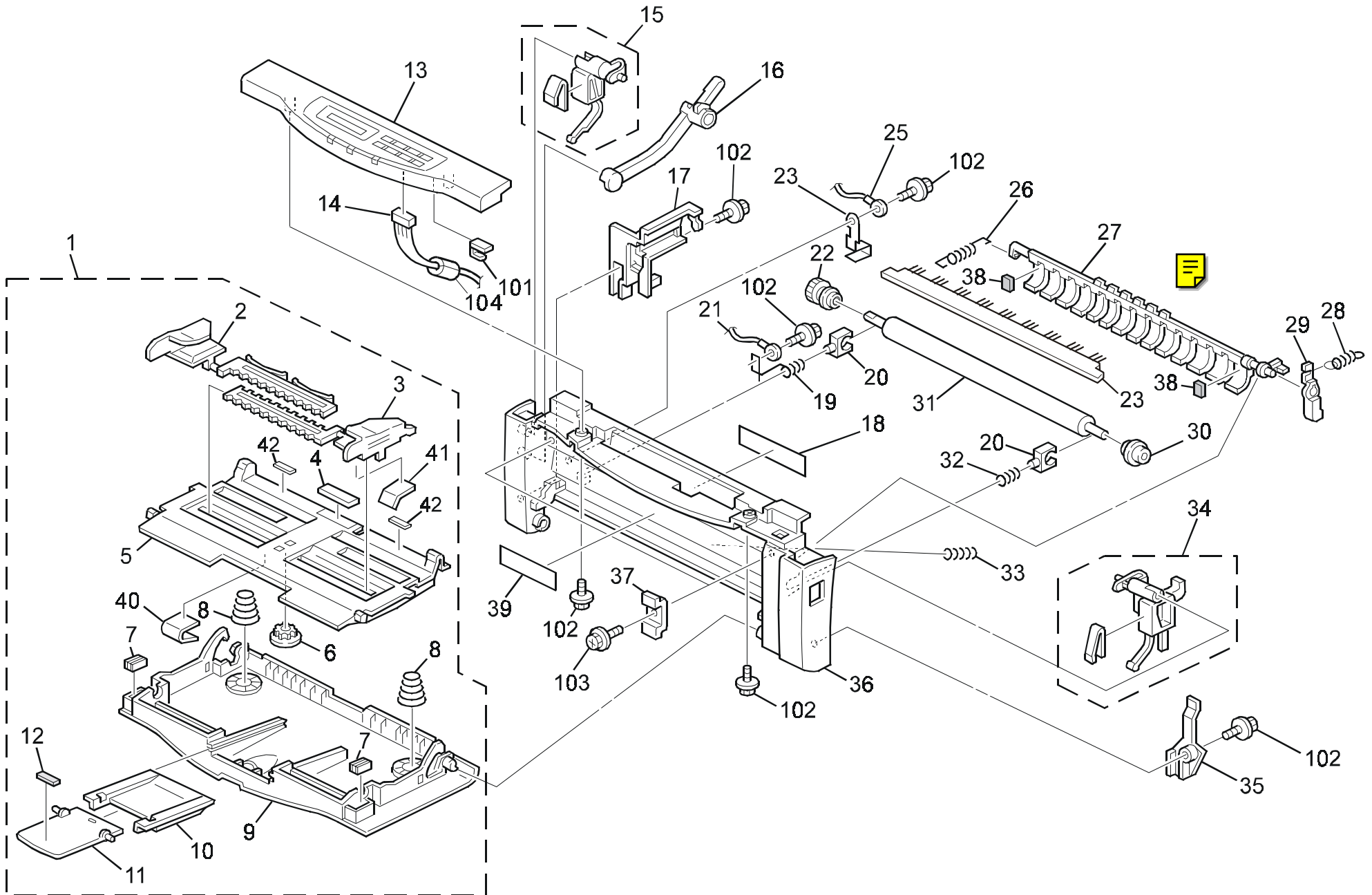
Index No.	Part No.	Description	Q'ty Per Assembly
101	0451 3008B	Tapping Screw - M3x8	
102	0450 3012B	Tapping Screw -3x12	

2.CASSETTE (G031)

Index No.	Part No.	Description	Q'ty Per Assembly
1	G029 2540	Paper Cassette - LT	1
1	G029 2541	Paper Cassette - A4	1
2	G029 2636	Decal - Cassette	1
3	G029 2601	Front Cassette	1
4	G800 3129	Cassette Arm	2
5	G800 3131	Bottom Plate Spring	2
6	G800 3119	Left Side Fence	1
7	G029 2608	Base Pad	1
8	G029 2637	Friction Pad	1
9	G800 3147	Pressure Spring - 2.8N	1
10	G029 2609	Cassette Protection	1
11	G800 3133	Side Fence Gear	1
12	G029 2607	Base Plate	1
13	G800 3123	Paper End Fence	1
14	G029 2605	Label	1
15	G029 2602	Rear Cassette	1
16	G800 3115	Rihgt Side Fence	1
17	G029 2630	Paper Size Sensor Actuator (LT)	1
17	G029 2633	Paper Size Sensor Actuator (A4)	1
18	G029 2628	Sound Proofing Material - Left	1
19	G029 2627	Sound Proofing Material - Right	1


Index No.	Part No.	Description	Q'ty Per Assembly

3.BY-PASS FEED UNIT (G031)

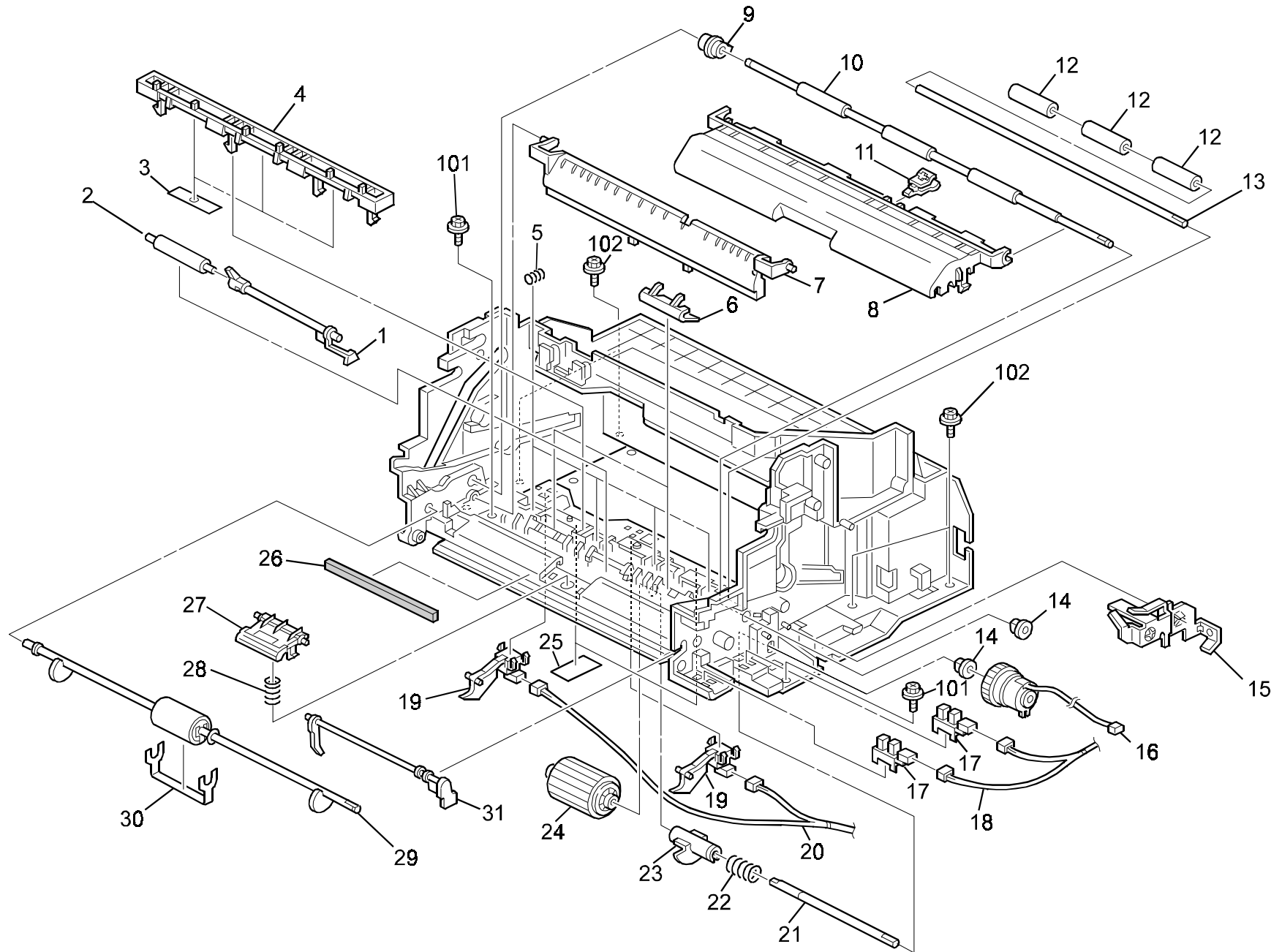


3.BY-PASS FEED UNIT (G031)

Index No.	Part No.	Description	Q'ty Per Assembly
1	G029 2700	By-pass Feed Unit	1
2	G029 2704	Left Side Fence	1
3	G029 2703	Right Side Fence	1
4	G029 2608	Base Pad	1
5	G029 2702	Tray Bottom Plate	1
6	G800 3133	Side Fence Gear	1
7	AG07 0014	Magnet Catch	2
8	G029 2707	Spring - 2.6N	2
9	G029 2701	Manual Feed Table	1
10	G029 2705	Extention Tray	1
11	G029 2706	Sub Tray	1
12	G029 2708	Pad	1
13	G029 1417	Control Panel - LT	1
13	G029 1427	Control Panel - A4	1
14	G031 1920	Operation Panel Harness	1
15	G029 1012	Left Lock Lever	1
16	G029 1070	Drum Shutter Arm	1
17	G029 1253	Left Harness Cover - P3	1
18	G029 3862	Deca - Misfeed Removal	1
19	G030 3858	Pressure Spring	1
20	H515 2455	Holder - Transfer Roller - Left	2
21	G029 5414	High Voltage Harness - T	1
22	G029 3865	Gear - 30Z	1
23	G029 3864	Discharge Brush Terminal	1
24	G029 3863	Discharge Brush	1
25	G029 5418	Discharge Harness	1
26	G029 3858	Shutter Spring	1
27	G029 3857	Transfer Roller Shutter - A3	1
28	G029 3861	Release Spring	1
29	G029 3859	Release Plate	1
30	G029 3866	Positioning Roller	1
31	G029 3850	Transfer Roller - A3	1
32	G029 3854	Compression Spring	1
33	G029 2561	Compression Spring	1
34	G029 1013	Right Lock Lever	1

Index No.	Part No.	Description	Q'ty Per Assembly
35	G029 1259	Right Harness Cover - P3	1
36	G029 1250	Front Cover - A3	1
37	G029 1255	Magnet Catch Stay	2
38	G029 3867	Shutter Cushion	2
39	G029 1258	Decal - By-pass Feed	1
40	G029 2709	Bottom Plate Shield	1
41	G029 2710	Side Fence Shield	1
42	G029 2711	Mylar - 10x33	2
			
101	1105 0109	Cord Keep	
102	0450 3008B	Tapping Screw - M3x8	
103	0452 3008B	Tapping Screw - M3x8	
104	1607 0622	Ferrite Core TFC161816 (230V)	

4.PAPER FEED UNIT (G031)

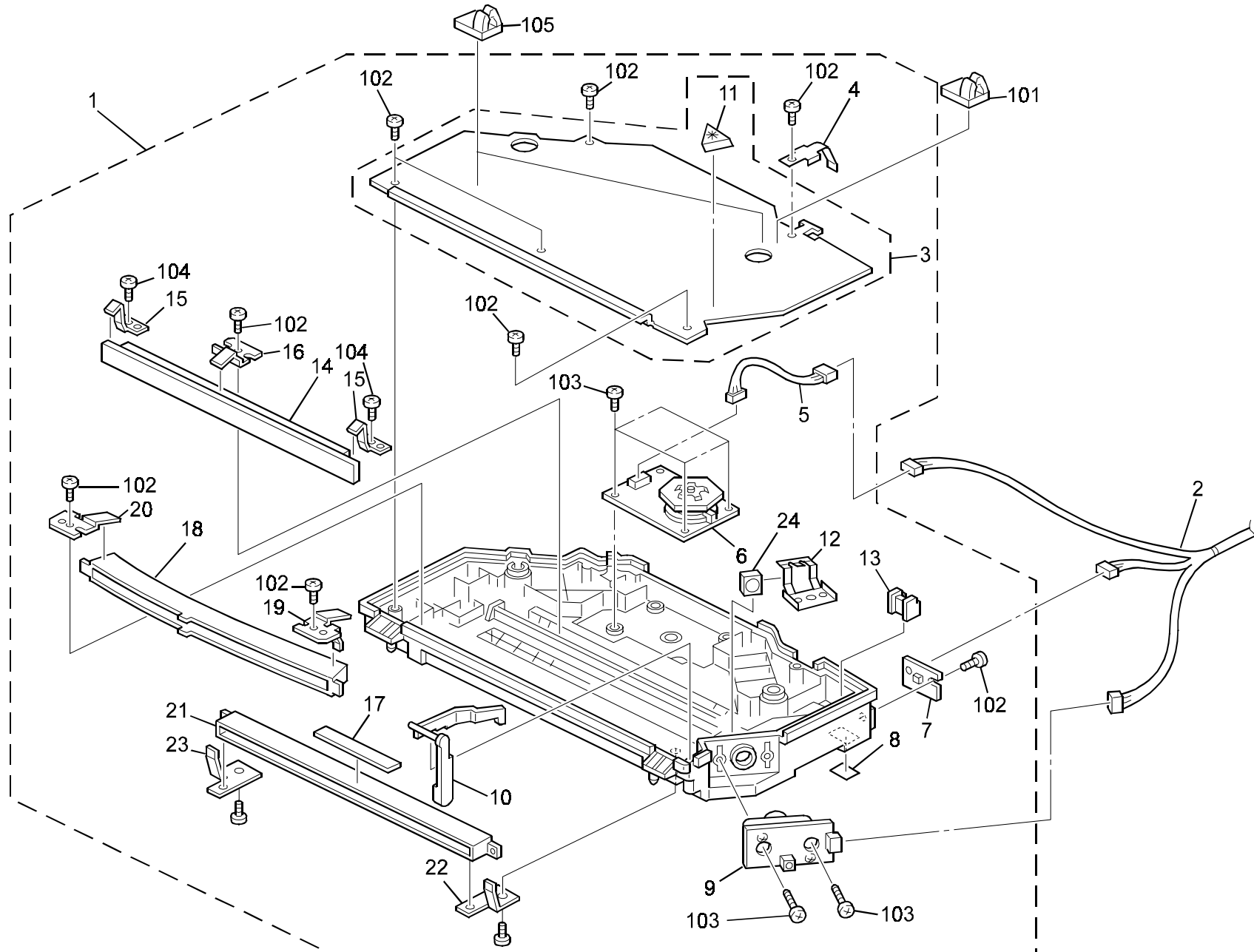


4.PAPER FEED UNIT (G031)


Index No.	Part No.	Description	Q'ty Per Assembly
1	G029 2556	Registration Feeler	1
2	G029 2555	Turn Roller	1
3	G029 2563	Film Cleaner - Registration	3
4	G029 2562	Rear Guide - Registration	1
5	G029 2554	Compression Spring	3
6	G029 2564	Turn Guide	2
7	G029 2559	Turn Guide Plate	1
8	G029 2557	Registration Cover	1
9	G029 2560	Bushing - 8mm	1
10	G029 2551	Registration Roller - Drive	1
11	G029 2558	Bushing	1
12	G029 2552	Registration Roller	3
13	G029 2553	Registration Shaft	1
14	5053 0447	Bushing - 6mm	2
15	G029 1094	Grounding Plate - Transport	1
16	G029 5512	Magnetic Clutch - Paper Feed	1
17	AW02 0086	Photointerruptor	2
18	G029 5400	Registration Sensor Harness	1
19	G800 5385	Paper Sensor	2
20	G029 5401	Fst Harness	1
21	G029 2653	Paper Feed Shaft	1
22	G029 2657	Compression Spring	1
23	G029 2654	Bushing - Paper Feed Roller	1
24	G800 3011	Paper Feed Roller	1
25	G029 2655	Guide Film	2
26	G029 2759	By-pass Feed Shield	1
27	G029 2763	Friction Pad - By-pass Feed	1
28	G029 2757	Spring - 2.75N	1
29	G029 2750	By-pass Feed Roller	1
30	G029 2756	By-pass Feed Cover	1
31	G029 2755	By-pass Feed Feeler	1

Index No.	Part No.	Description	Q'ty Per Assembly
101	0450 3010B	Tapping Screw - M3x10	
102	0450 3016B	Tapping Screw - M3x16	

5.LD UNIT (G031)

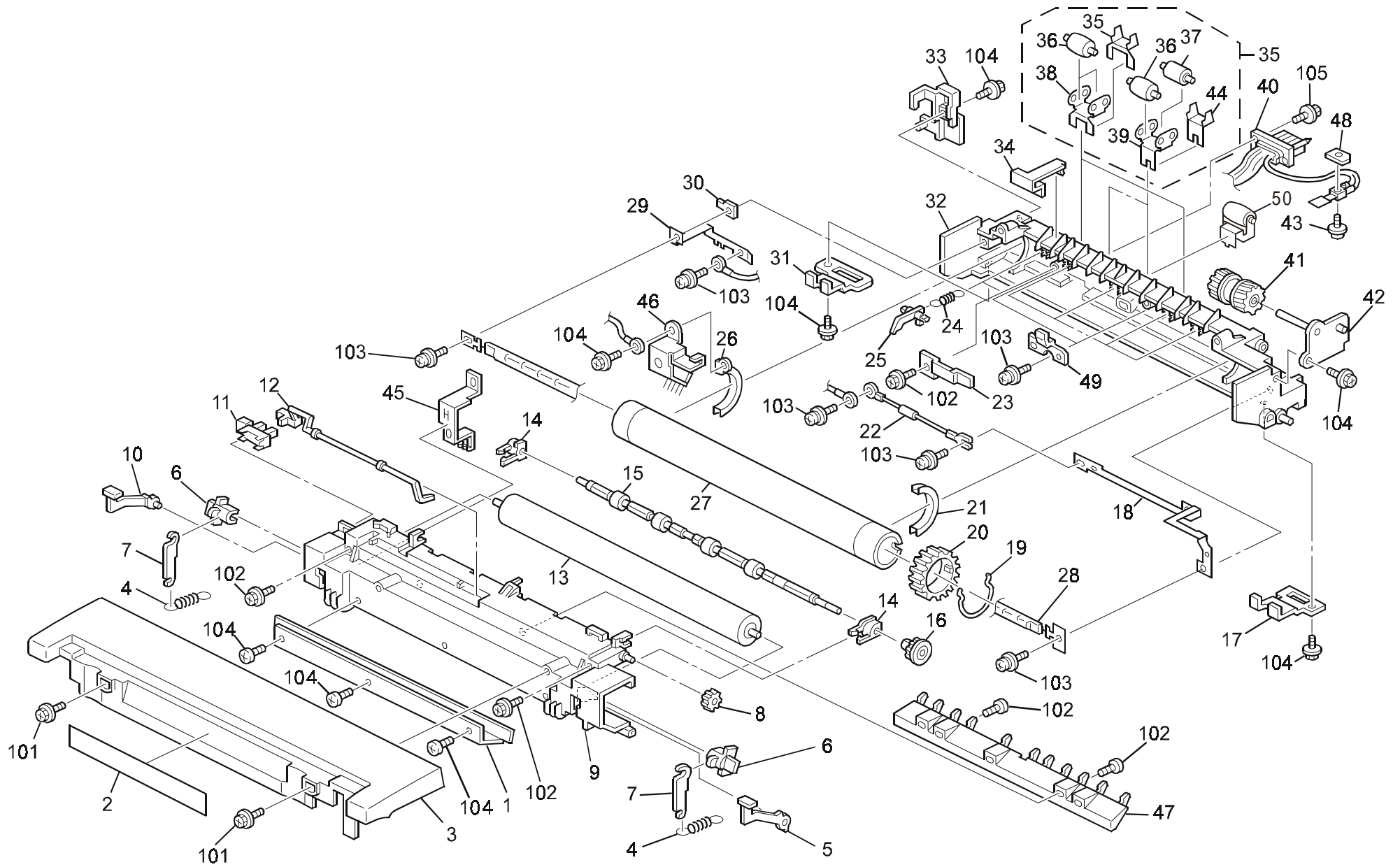


5.LD UNIT (G031)

Index No.	Part No.	Description	Q'ty Per Assembly
1	G029 1871	Optical Unit	1
2	G029 5430	Harness - Optical Control	1
3	G029 1911	Optical Housing Cover	1
4	G029 1910	Grounding Plate	1
5	G020 5439	Harness - Polygon Mirror Motor	1
6	G029 1961	Polygon Scanner	1
7	A232 5310	Laser Sync. Detector	1
8	AA15 0332	Seal - 0.19x18x22	1
9	G029 1881	LD Unit	1
10	G029 1906	Laser Diode Unit Shutter	1
11	G029 1966	Rubber Bushing	1
12	G029 1905	Lens Holder	1
13	G029 1975	Cylindrical Lens	1
14	G029 1963	Mirror	1
15	G029 1916	Mirror Holder	2
16	G029 1915	Upper Holder - Mirror	1
17	G029 1966	Rubber Bushing	1
18	G020 1968	F Theta Mirror	1
19	G020 1906	Left Holder - F Theta Mirror	1
20	G020 1907	Right Holder - F Theta Mirror	1
21	G020 1969	Btl Lens	1
22	G020 1904	Left Holder - Btl Lens	1
23	G020 1903	Right Holder - Btl Lens	1
			

Index No.	Part No.	Description	Q'ty Per Assembly
101	1105 0109	Cord Keep	
102	0452 3008B	Tapping Screw - M3x8	
103	0452 3010B	Tapping Bind Screw - M3x10	
104	0451 3006B	Tapping Screw - M3x6	
105	1105 0359	Clamp	

6.FUSING UNIT (G031)

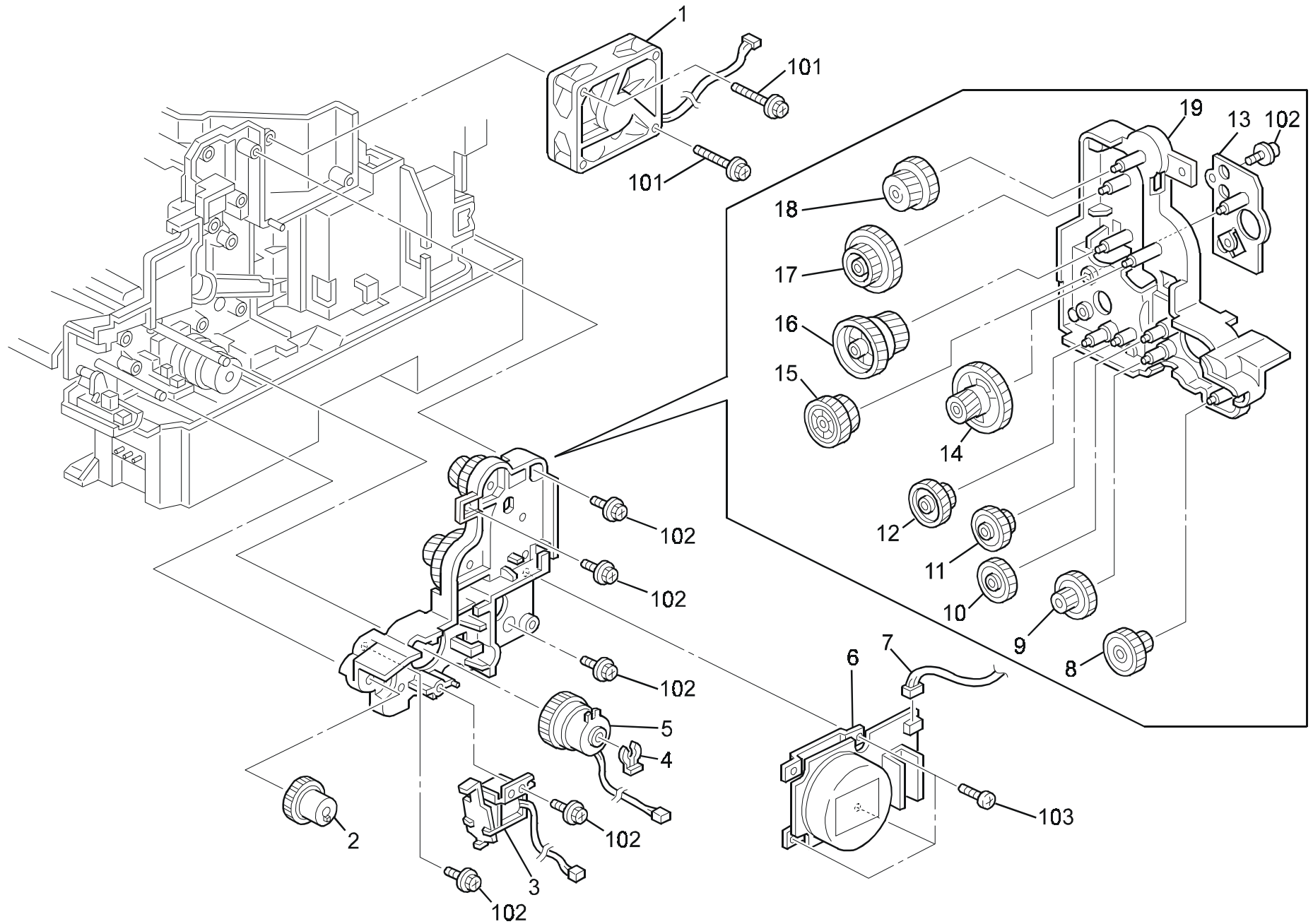


6.FUSING UNIT (G031)






Index No.	Part No.	Description	Q'ty Per Assembly
1	G029 4064	Fusing Entrance Guide	1
2	G029 4153	Deca - High Temperature	1
3	G029 1270	Fusing Cover	1
4	G029 4150	Pressure Spring	2
5	G029 4136	Right Release Lever	1
6	G029 4174	Pressure Roller Bushing	2
7	G029 4135	Pressure Roller Lever	2
8	G029 4132	Idler Gear - Exit	1
9	G029 4106	Pressure Roller Case	1
10	G029 4137	Left Release Lever	1
11	AW02 0086	Photointerruptor	1
12	G029 4186	Exit Sensor Feeler	1
13	G029 4120	Pressure Roller	1
14	G800 4851	Bushing	2
15	G029 4180	Exit Roller	1
16	G029 4185	Exit Roller Gear	1
17	G029 4149	Right Support Plate	1
18	G029 4141	Grounding Plate 1	1
19	G029 4140	External Circlip	1
20	G029 4171	Hot Roller Gear	1
21	G029 4172	Hot Roller Bushing	1
22	G029 4161	Thermofuse - 169°C	1
23	G029 4138	Fusing Harness Cover	1
24	G029 4143	Pickoff Pawl Spring	5
25	G029 4175	Stripper Pawls	5
26	G029 4173	Hot Roller Bushing 2	1
27	G029 4110	Hot Roller	1
28	G029 4191	Fusing Lamp - 120V 700W	1
28	G029 4192	Fusing Lamp - 230V 700W	1
29	G029 4144	Grounding Plate 2	1
30	G029 4139	Heater Holder	1
31	G029 4148	Left Support Plate	1
32	G029 4101	Fusing Frame	1
33	G029 4201	PCU Sensor Holder	1
34	G029 4151	Stripper Pawl Stopper	5


Index No.	Part No.	Description	Q'ty Per Assembly
35	G029 4199	Spring Plate - Sub 2	2
36	G800 4854	Exit Roller	6
37	G029 4181	Exit Roller	2
38	G029 4184	Spring Plate 2	2
39	G029 4183	Spring Plate 1	2
40	G029 4196	Thermistor Ass'y - 120V	1
40	G029 4197	Thermistor Ass'y - 230V	1
41	G029 4131	Idler Gear - Fusing	1
42	G029 4145	Bracket - Idler Ass'y	1
43	G029 4159	Screw - M3X13	1
44	G029 4198	Spring Plate - SUB 1	2
45	G029 4116	Ground Plat	1
46	G029 4117	Discharge Brush:Fusing Unit	1
47	G029 4187	Exit Guide Plate	1
48	G029 4154	Thermistor Shield	1
49	G029 4133	Screw Cover (230V)	2
50	G029 4066	Trun Roller	1
101	0450 3010Z	Tapping Screw With Washer - M 3x10	
102	0450 3010B	Tapping Screw - M3x10	
103	0954 3008B	Philips Screw - M3x8	
104	0450 3008B	Tapping Screw - M3x8	
105	0450 3012B	Tapping Screw -3x12	

7.DRIVE SECTION (G031)

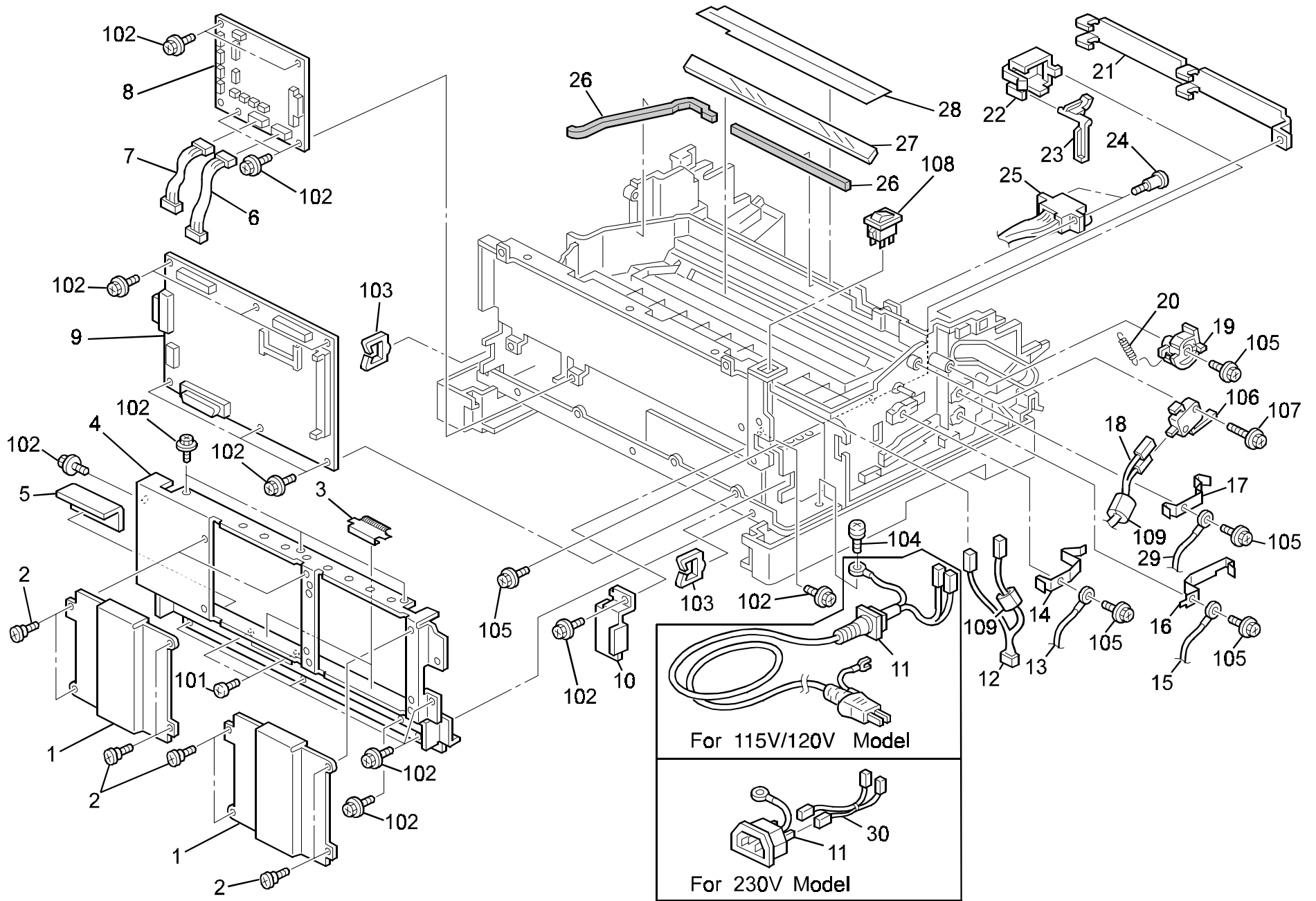


7.DRIVE SECTION (G031)

Index No.	Part No.	Description	Q'ty Per Assembly
1	G029 5501	Fam Moter - DC24V	1
 2	G029 2752	Spring Clutch - 1kgf	1
3	G029 5510	DC Solenoid	1
4	H521 3355	C Ring - Paper Feed Roller	1
5	G029 5511	Magnetic Clutch - Registration	1
6	G029 5502	Main Motor - 24V 18W/10W	1
7	G029 5431	Harness - DC Motor	1
8	G029 1114	Gear - C10	1
9	G029 1112	Gear - C8	1
10	G029 1113	Gear - C9	1
11	G029 1111	Gear - C7	1
 12	G029 1110	Gear - C6	1
 13	G029 1103	Support Plate - Drive Shaft	1
14	G029 1118	Gear - C3	1
15	G029 1105	Gear - C1	1
16	G029 1117	Gear - C2	1
17	G029 1108	Gear - C4	1
18	G029 1109	Gear - C5	1
 19	G029 1100	Dtive Housing	1
			

Index No.	Part No.	Description	Q'ty Per Assembly
101	0450 4035B	Philips Tapping Screw - M4x35	
102	0450 3008B	Tapping Screw - M3x8	
103	0452 4010B	Tapping Bind Screw - M4x10	
			

8.ELECTRICAL SECTION 1 (G031)

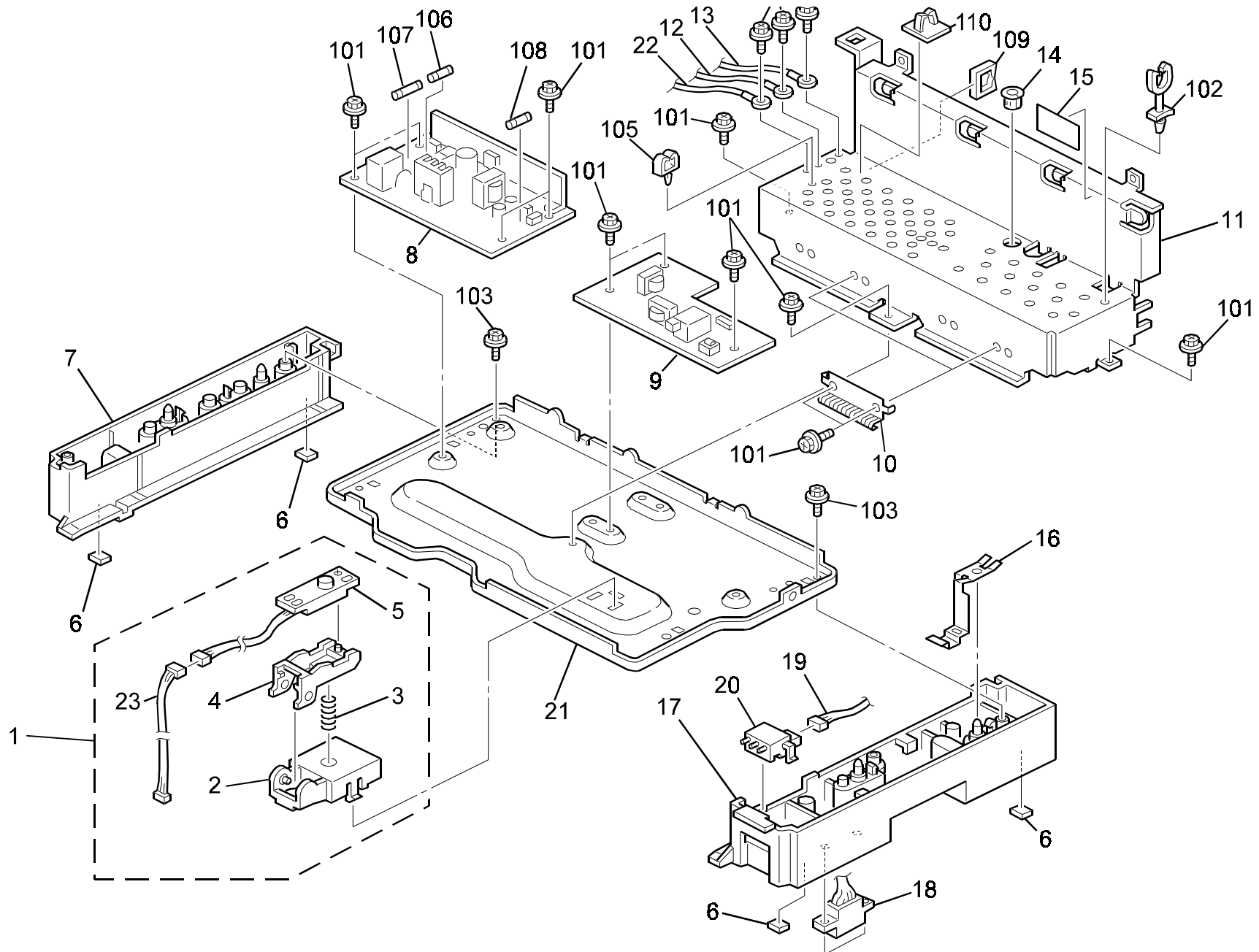


8.ELECTRICAL SECTION 1 (G031)

Index No.	Part No.	Description	Q'ty Per Assembly
1	G800 1175	Board Cover	2
2	G020 1392	Screw - M3X8	8
3	G029 1159	Grounding Plate	2
4	G029 1160	Electrical Components Cover - A3	1
5	G029 1161	Insulating Sheet	1
6	G029 5407	Power Supply Cord	1
7	G029 5406	Power Pack Harness - P3	1
8	G029 5116	Engine Control Board - 120V	1
8	G029 5111	Engine Control Board - 230V	1
9	G031 5720	Main Control Board	1
10	G029 1155	Shielding Plate	1
11	G029 5520	Power Supply Cord - 120V	1
11	G029 5526	Inlet - P3	1
12	G029 5408	Main Switch Harness (120V)	1
12	G029 5412	Harness - Inret 230V	1
13	G029 5413	High Voltage Harness - C	1
14	G029 1080	Grounding Plate - Charge	1
15	G029 5415	High Voltage Harness - B	1
16	G029 1083	Grounding Plate	1
17	G029 1081	Grounding Plate - Drum	1
18	G029 5421	Safety Switch Harness	1
19	G029 1085	Safety Switch Cam	1
20	G029 1088	Tension Spring	1
21	G029 1077	Shielding Plate	1
22	G029 1087	Shielding Plate Holder	1
23	G029 1086	Shielding Plate	1
24	G029 4200	Drawer Screw	1
25	G029 5402	Fusing Unit Harness	1
26	G029 1056	Duct Shield	2
27	G029 1972	Shield Glass	1
28	G029 1055	Duct Sheet	1
29	G029 5416	Grounding Wire Harness - Drum	1
30	G029 5412	Harness - Inret 230V	1

Index No.	Part No.	Description	Q'ty Per Assembly
101	0353 0060Z	Screw - M3X6	
102	0451 3006B	Tapping Screw - M3x6	
103	1105 0352	Clamp	
104	0950 4010B	Sem,s Screw M4 x 10	
105	0450 3008B	Tapping Screw - M3x8	
106	1204 2355	Micro Switch - AM51632A531	
107	0450 3016B	Tapping Screw - M3x16	
108	1204 2477	Locker Switch - Ac250V 10A	
109	1607 0622	Ferrite Core TFC16816 (120V)	

9.ELECTRICAL SECTION 2 (G031)



9.ELECTRICAL SECTION 2 (G031)

Index No.	Part No.	Description	Q'ty Per Assembly
1	G029 1042	Toner End Sensor	1
2	G029 1061	Toner End Sensor Bracket	1
3	G800 1217	Toner End Sensor Spring	1
4	G029 1062	Toner End Sensor Holder	1
5	G029 1064	Toner End Sensor	1
6	G030 1052	Rubber Foot	4
7	G029 1066	Left Rail	1
8	GZ22 0001	Power Supply Unit - 120V	1
8	GZ22 0002	Power Supplu Unit - 230V	1
9	G029 5310	High Voltage Supply Board	1
10	G029 1158	Grounding Plate	1
11	G029 1150	Bracket - DLT	1
11	G029 1151	Bracket - A3	1
12	G029 5418	Discharge Harness	1
13	G029 5416	Grounding Wire Harness - Drum	1
14	G029 1154	Bushing - Tb-1216	1
15	G029 1980	Decal - LD	1
16	G029 1095	Grounding Plate - 2nd	1
17	G029 1065	Right Rail	1
18	G029 5420	Option Fst Harness	1
19	G029 5401	FST Harness	1
20	G800 3035	Push SW - Paper Size	1
21	G029 1060	Base Plate	1
22	G029 5402	Fusing Unit Harness	1
23	G029 5419	Toner End Sensor Harness	1

Index No.	Part No.	Description	Q'ty Per Assembly
101	0451 3006B	Tapping Screw - M3x6	
102	1105 0348	Clamp	
103	0450 3010B	Tapping Screw - M3x10	
104	0450 3012B	Tapping Screw -3x12	
105	1105 0266	Clamp	
106	1107 0868	Fuse - 5A 125V (120V)	
106	1107 0877	Fuse - 3.15A 250V (230V)	
107	1107 0887	Fuse 250V 15A (120V)	
107	1107 0880	Fuse - 6.3A 250V (230V)	
108	1107 0868	Fuse - 5A 125V (120V)	
108	1107 0884	Fuse - 5A 250V (230V)	
109	1105 0352	Clamp	
110	1105 0368	Clump - MN-2	

10.MAIN CONTROL BOARD (G031)

CAPACITOR

SYMBOL NO.	INDEX NO.	SYMBOL NO.	INDEX NO.	SYMBOL NO.	INDEX NO.	SYMBOL NO.	INDEX NO.	SYMBOL NO.	INDEX NO.	SYMBOL NO.	INDEX NO.	SYMBOL NO.	INDEX NO.
C1	145	C11	144	---	---	C31	153	C41	150	C51	148	C61	148
C2	145	C12	143	---	---	C32	153	C42	148	C52	153	C62	151
---	---	C13	143	---	---	C33	124	C43	148	C53	153	C63	150
C4	153	C14	144	---	---	C34	148	C44	153	C54	153	C64	151
---	---	C15	145	---	---	C35	148	C45	148	C55	148	C65	148
C6	153	C16	143	C26	153	C36	147	C46	150	C56	123	C66	148
---	---	C17	145	C27	153	C37	147	C47	153	C57	148	C67	153
C8	144	C18	153	C28	153	C38	153	C48	148	C58	152	C68	153
C9	143	C19	153	C29	153	C39	148	C49	148	C59	150	C69	150
C10	143	---	---	C30	153	C40	148	C50	148	C60	148	C70	148

CAPACITOR

SYMBOL NO.	INDEX NO.	SYMBOL NO.	INDEX NO.	SYMBOL NO.	INDEX NO.	SYMBOL NO.	INDEX NO.	SYMBOL NO.	INDEX NO.	SYMBOL NO.	INDEX NO.	SYMBOL NO.	INDEX NO.
C71	153	C81	153	C91	149	---	---	C111	149	C121	153	C131	153
C72	148	---	---	C92	153	C102	148	C112	153	C122	153	C132	153
C73	150	---	---	C93	153	C103	148	C113	152	C123	153	C133	153
C74	148	---	---	C94	148	C104	153	C114	152	C124	148	C134	148
C75	148	C85	150	C95	153	C105	153	C115	152	C125	153	C135	153
C76	123	C86	148	---	---	C106	148	C116	152	C126	153	C136	148
C77	148	C87	150	---	---	C107	153	C117	152	C127	153	C137	153
C78	152	---	---	C98	153	C108	148	C118	152	C128	153	C138	148
C79	148	---	---	---	---	C109	149	C119	152	C129	153	C139	153
C80	153	C90	153	---	---	C110	149	C120	152	C130	153	C140	153

10.MAIN CONTROL BOARD (G031)

CAPACITOR

SYMBOL NO.	INDEX NO.	SYMBOL NO.	INDEX NO.	SYMBOL NO.	INDEX NO.	SYMBOL NO.	INDEX NO.	SYMBOL NO.	INDEX NO.	SYMBOL NO.	INDEX NO.	SYMBOL NO.	INDEX NO.
C141	148	C151	148	C161	148	C171	148	C181	153	C191	153	C201	122
C142	153	C152	153	C162	153	C172	153	C182	148	C192	153	C202	122
C143	153	C153	153	C163	153	C173	153	C183	153	C193	146	C203	153
C144	148	C154	153	C164	148	C174	148	C184	148	C194	146	C204	148
C145	153	C155	148	C165	153	C175	153	C185	153	C195	146	C205	122
C146	148	C156	153	C166	148	C176	153	C186	148	C196	153	C206	153
C147	153	C157	153	C167	153	C177	148	C187	153	C197	146	C207	122
C148	153	C158	153	C168	153	C178	153	C188	148	C198	153	C212	153
C149	153	C159	153	C169	148	C179	148	---	---	C199	153	C213	153
C150	153	C160	153	C170	153	C180	153	---	---	C200	153		

CONNECTOR

SYMBOL NO.	INDEX NO.
CN1	104
CN2	102
CN3	102
CN4	103
CN5	107
CN6	105
CN7	101

DIODE

SYMBOL NO.	INDEX NO.
D1	109

DL

SYMBOL NO.	INDEX NO.
DL1	128

FILTER

SYMBOL NO.	INDEX NO.
FIL1	125
FIL2	126
FIL3	126
FIL4	126
FIL5	126
FIL6	126
FIL7	126
FIL8	126
FIL9	126
FIL10	126

FILTER

SYMBOL NO.	INDEX NO.
FIL11	126
FIL12	126
FIL13	126
FIL14	126
FIL15	127
FIL16	127
FIL17	126
FIL18	126
FIL19	126
FIL20	126

FILTER

SYMBOL NO.	INDEX NO.
FIL21	126

IC

SYMBOL NO.	INDEX NO.
IC3	115
(Socket)	106
IC5	117
IC7	116
IC8	1
IC9	118
IC10	118
IC11	3
IC15	154
IC16	154

IC

SYMBOL NO.	INDEX NO.
IC18	154
IC20	154
IC22	119
IC24	111
IC26	113
IC27	114
IC29	110
IC30	112

10.MAIN CONTROL BOARD (G031)

JP

SYMBOL NO.	INDEX NO.
JP24	141
JP26	142
JP29	142
JP30	142
JP31	142
JP32	142
JP34	141
JP37	137

OSC

SYMBOL NO.	INDEX NO.
OSC1	121
OSC3	2

RESISTOR

SYMBOL NO.	INDEX NO.
---	---
---	---
---	---
---	---
R5	129
---	---
R7	132
R8	132
R9	132
R10	132

SYMBOL NO.	INDEX NO.
R11	132
R12	132
R13	132
R14	132
R15	132
R16	132
R17	132
R18	132
R19	132
R20	132

SYMBOL NO.	INDEX NO.
R21	132
R22	132
R23	132
R24	132
R25	132
R26	132
R27	132
R28	132
R29	132
R30	132

SYMBOL NO.	INDEX NO.
R31	132
R32	132
R33	132
R34	132
R35	132
R36	132
R37	132
R38	132
R39	134
R40	134

SYMBOL NO.	INDEX NO.
---	---
R42	136
R43	136
R44	136
R45	137
R46	137
R47	137
R48	136
R49	136
R50	140

RESISTOR

SYMBOL NO.	INDEX NO.
R51	140
R52	140
R53	140
R54	140
R55	140
---	---
R57	136
R58	136
R59	132
R60	136

SYMBOL NO.	INDEX NO.
R61	136
R62	136
R63	136
R64	136
R65	136
R66	137
R67	137
R68	136
R69	136
R70	140

SYMBOL NO.	INDEX NO.
R71	140
R72	137
R73	137
---	---
---	---
R76	140
---	---
R78	140
---	---
R80	140

SYMBOL NO.	INDEX NO.
R81	140
---	---
---	---
---	---
R85	140
R86	140
---	---
R88	140
R89	140
R90	140

SYMBOL NO.	INDEX NO.
R90	140
R91	140
R92	135
R93	140
R94	140
R95	140
R96	140
R97	133
R99	140
R100	140

SYMBOL NO.	INDEX NO.
R101	140
R102	140
R103	130
R104	130
R105	136
R106	136
R107	129
R108	139
R109	139
R110	136

SYMBOL NO.	INDEX NO.
R112	136
R113	134
R114	134
R115	132
R116	132
R125	137
R127	132
R129	137
R130	137
R131	137

RESISTOR

SYMBOL NO.	INDEX NO.
R135	131
R139	131
R142	131
R145	131
R148	131
R151	131
R152	131
R154	131
R159	132
R160	136

SYMBOL NO.	INDEX NO.
---	---
R162	132
---	---
R164	132
R165	136
R166	132
R167	136
R168	136
R169	132
R170	136

SYMBOL NO.	INDEX NO.
R171	132
R172	137
R173	132
R174	136
R175	132
---	---
---	---
---	---
R179	138
R180	136

SYMBOL NO.	INDEX NO.
R181	136
R182	136
R183	136
R184	136
R185	136
R186	136
R187	136
R188	136
R189	132
R190	136

SYMBOL NO.	INDEX NO.
R191	136
R192	134
R193	136

REG

SYMBOL NO.	INDEX NO.
REG2	120

SW

SYMBOL NO.	INDEX NO.
SW1	108

10.MAIN CONTROL BOARD (G031)

Index No.	Part No.	Description	Q'ty Per Assembly
*	G031 5720	Main Control Board	1
1	G031 5903	IC - ASIC ROCKY_W	1
2	G031 5904	Oscillator - SG8002JASC	1
3	G031 5941	IC - MSM27C1602CZ-NGS-K	1

Index No.	Part No.	Description	Q'ty Per Assembly
101	1102 5409	Connector - 20P	
102	1102 7358	Connector - 80P	
103	1102 7553	Connector Sx1ba-72s-0.6	
104	1102 7920	Connector - 52831-2010	
105	1102 7989	Connector - TB01207-S2	
106	1104 0378	IC Socket - 24P - DICF	
107	1104 0739	Sim Socket 72P	
108	1204 2368	Dip Switch - DSS804	
109	1402 1343	Diode - RB106L-40	
110	1407 2052	TTLIC - SN74LS74ANS	
111	1407 2187	TTLIC - SN74LS07NS	
112	1407 2463	TTL IC SN74ALS08NS	
113	1407 3292	IC - TC74HCT244AF	
114	1407 4467	CMOSIC - TC74HCT273AF	
115	1407 4997	IC - AT28C16E-15PC	
116	1407 5025	IC - UPD30210GB-133-MBB	
117	1407 5040	IC - SN74LVC161284DL	
118	1407 5093	IC - LH28F320S5NS-L90	
119	1408 0611	IC - 3771	
120	1408 1295	IC - UPC2933T	
121	1503 0878	Oscillator - 44.4Mhz	
122	1605 0453	Capacitor - 2200pF ±10	
123	1605 0912	Capacitor - 0.082µF±1	
124	1605 0942	Capacitor - 0.22µF+80	
125	1607 1018	Filter - ACB1608H-120	
126	1607 1041	Filter - ACB1608M-300	
127	1607 1069	IC - HF30ACC201209	
128	1607 1127	IC - DS1000Z-20	
129	1630 3330	Resistor - 33 Ω ±5%	
130	1630 3519	Resistor - 5.1 Ω ±5%	
131	1630 4102	Resistor - 1.0KΩ ±5%	
132	1630 4103	Resistor - 10KΩ ±5%	
133	1630 4104	Resistor - 100 Ω ±5%	
134	1630 4122	Resistor - 1.2K Ω 5%	

Index No.	Part No.	Description	Q'ty Per Assembly
135	1630 4124	Resistor - 120K Ω \pm 5	
136	1630 4330	Resistor - 33 Ω \pm 5%	
137	1630 4470	Resistor - 470 Ω \pm 5%	
138	1630 4472	Resistor - 4.7K Ω \pm 5%	
139	1630 4519	Resistor - 5.1 Ω \pm 5%	
140	1630 4680	Resistor - 68 Ω \pm 5%	
141	1633 0000	Resistor - 0 Ω 1/10W	
142	1634 0000	Resistor - 0 Ω - 1/16w	
143	1642 0101	Capacitor - 100 μ F \pm 20%	
144	1642 2470	Capacitor - 47 μ F \pm 20%	
145	1643 2100	Capacitor - 10 μ F \pm 20%	
146	1660 2220	Capacitor - 22pF \pm 20%	
147	1660 3121	Capacitor - 120pF \pm 5% 50V	
148	1660 3220	Capacitor - 122pF \pm 5%	
149	1660 3221	Capacitor - 220pF \pm 5%	
150	1660 3330	Capacitor - 33pF \pm 5% 5	
151	1660 3680	Capacitor	
152	1660 5102	Capacitor - 1000pF \pm 10	
153	1660 9104	C - 0.1 μ F25V	
154	1903 1008	IC - 16M 1MX16 60NS EDO	

Index No.	Part No.	Description	Q'ty Per Assembly

11.ENGIN CONTROL BOARD (G031)

CAPACITOR

SYMBOL NO.	INDEX NO.	SYMBOL NO.	INDEX NO.	SYMBOL NO.	INDEX NO.	SYMBOL NO.	INDEX NO.	SYMBOL NO.	INDEX NO.	SYMBOL NO.	INDEX NO.		
C1	153	C11	149	C21	155	C31	153	C41	151	C 51	155	C 61	150
C2	152	C12	153	C22	153	C32	153	C42	155	C 52	152	C 62	155
---	---	C13	152	C23	153	C33	155	C43	152	C 53	152	C 63	152
C4	152	C14	152	C24	155	C34	154	C44	152	C 54	152	C 64	152
C5	153	C15	152	C25	153	C35	155	C45	152	C 55	152	C 65	152
C6	153	C16	153	C26	155	C36	155	---	---	C 56	152	C 66	153
C7	153	C17	150	C27	154	C37	155	C47	152	C 57	152	C 67	152
C8	148	C18	150	C28	155	---	---	C48	152	C 58	153	C 68	151
C9	155	C19	150	C29	155	C39	155	C49	152	C 59	153	C 69	153
C10	148	C20	150	C30	151	C40	155	C50	152	C 60	150	C 70	153

CAPACITOR

SYMBOL NO.	INDEX NO.	SYMBOL NO.	INDEX NO.
C71	153	C81	155
C72	153	C82	155
C73	153	C83	153
C74	152	C84	153
---	---	---	---
C76	155	C86	153
C77	153	C87	152
C78	153	C88	152
C79	154	C89	153
---	---	---	---

CONNECTOR

SYMBOL NO.	INDEX NO.	SYMBOL NO.	INDEX NO.
C91	154	C96	152
C92	152		
C93	153		
C94	152		
C95	152		

SYMBOL NO.	INDEX NO.
CN1	116
---	---
CN3	107
CN4	114
CN5	102
CN6	111
CN7	105
CN8	104
CN9	108
CN10	103

DIODE

SYMBOL NO.	INDEX NO.
D1	120

FILTER

SYMBOL NO.	INDEX NO.
FIL1	133

DA

SYMBOL NO.	INDEX NO.
DA1	119
DA2	119
DA3	119
DA4	119

11.ENGIN CONTROL BOARD (G031)

IC

SYMBOL NO.	INDEX NO.
IC1	124
IC2	2
IC3	122
IC4	1
(Socket)	118
IC5	125
(Socket)	117
IC6	128
IC7	126
IC8	156

SYMBOL NO.	INDEX NO.
IC9	121
IC10	122
IC11	121

JP

SYMBOL NO.	INDEX NO.
JP1	144
	(120V)
JP2	144
	(230V)
JP5	144
	(120V)
JP6	144
	(230V)
JP7	144
JP9	144

OSC

SYMBOL NO.	INDEX NO.
OSC1	129

Q

SYMBOL NO.	INDEX NO.
Q1	123

RESISTOR

SYMBOL NO.	INDEX NO.
R1	142
R2	142
R3	147
R4	137
R5	131
R6	130
R7	130
---	---
---	---
---	---

SYMBOL NO.	INDEX NO.
---	---
R16	137
R17	137
R18	137
R19	137
R20	137

SYMBOL NO.	INDEX NO.
R21	137
R22	135
R23	138
R24	137
R25	137
R26	137
R27	137
R28	137
R29	137
R30	137

RESISTOR

SYMBOL NO.	INDEX NO.
R31	137
R32	137
R33	137
R34	137
R35	137
R36	137
R37	137
R38	137
R39	137
R40	137

SYMBOL NO.	INDEX NO.
R41	137
R42	137
R43	137
---	---
R45	137
R46	137
R47	137
---	---
R49	137
R50	137

SYMBOL NO.	INDEX NO.
R51	135
R52	137
R53	137
R54	137
R55	137
R56	137
R57	137
R58	137
R59	137
R60	137

SYMBOL NO.	INDEX NO.
R61	137
R62	137
R63	137
R64	137
R65	135
R66	135
R67	137
R68	135
R69	135
R70	135

SYMBOL NO.	INDEX NO.
R71	137
R72	137
R73	137
R74	137
R75	137
R76	137
R77	137
R78	137
---	---
---	---

SYMBOL NO.	INDEX NO.
---	---
---	---
---	---
R84	137
R85	137
R86	137
R87	137
R88	137
---	---
R90	134

SYMBOL NO.	INDEX NO.
R91	137
R92	139
R93	143
R94	146
R95	137
R96	137
R97	136
R98	137
R99	136
R100	137

11.ENGIN CONTROL BOARD (G031)

RESISTOR

SYMBOL NO.	INDEX NO.
R101	136
---	---
---	---
R104	137
R105	137
R106	137
R107	137
R108	137
R109	137
R110	137

SYMBOL NO.	INDEX NO.
R111	137
R112	137
R113	136
R114	137
R115	136
R116	137
R117	136
R118	137
R119	141
R120	145

SYMBOL NO.	INDEX NO.
R121	136
R122	137
R123	137
R124	136
R125	137
R126	136
R127	137
R128	136
R129	137
R130	136

SYMBOL NO.	INDEX NO.
R131	137
R132	136
R133	137
R134	136
R135	136
R136	136
R137	136
R138	137
R139	136
R140	137

SYMBOL NO.	INDEX NO.
R141	137
R142	137
R143	136
R144	137
R145	137
R146	136
R147	136
R148	136
R149	136
R150	136

SYMBOL NO.	INDEX NO.
R151	136
R152	136
R153	136
R154	136
R155	135
R156	135
R157	135
R158	135
R159	135
R160	140

SYMBOL NO.	INDEX NO.
R161	136

REG

SYMBOL NO.	INDEX NO.
REG1	127

RN

SYMBOL NO.	INDEX NO.
RN1	132
RN2	132
RN3	132
RN4	132
RN5	132
RN6	132

TB

SYMBOL NO.	INDEX NO.
TB1	113

11.ENGIN CONTROL BOARD (G031)

Index No.	Part No.	Description	Q'ty Per Assembly
*	G029 5116	Engine Control Board - 120V	
*	G029 5111	Engine Control Board - 230V	
1	G029 5158	IC - UVEPROM 1M X8 100NS	
2	G029 5190	IC - UPD65640G-J286-3EB	

Index No.	Part No.	Description	Q'ty Per Assembly
101	1102 4201	Connector - 2P	
102	1102 4203	CT Header - 4P	
103	1102 4206	Connector - 7P	
104	1102 4209	CT Header - 10P	
105	1102 4212	CT Header - 15P	
106	1102 4619	Connector - 2P	
107	1102 4623	CT Connector - 6P	
108	1102 4627	Connector - 10P	
109	1102 4631	CT Connector - 2P	
110	1102 4643	CT Connector - 2P	
111	1102 4650	Connector - 9P	
112	1102 5305	Connector - 6P	
113	1102 5943	Connector - 2P	
114	1102 6301	Connector - 8P	
115	1102 7052	Connector - 14P	
116	1102 7529	Connector - 20P	
117	1104 0511	IC Socket - 8P - DICF-8CS-E	
118	1104 0589	Dip Socket - 32P	
119	1402 0478	Diode - 1SS226TE85L	
120	1402 1336	Diode - 1SS355	
121	1407 2187	TTLIC - SN74LS07NS	
122	1407 2218	TTLIC - SN74LS06NS	
123	1407 2219	IC - TD62003AP	
124	1407 3357	Comparator - BA10393F	
125	1407 4304	IC - EEPROM-BR93LC46A	
126	1407 4754	IC - HD6413002F16	
127	1408 1012	IC - L78050CV	
128	1408 1223	Ditector - RN5VD42C	
129	1503 0233	Oscillator - 16MHZ	
130	1600 1552	Resistor - 47Ω ±5% 2W	
131	1601 5415	Resistor - 62 Ω ±5% 2W	
132	1601 7812	Resistor Array - 100 Ω ±5% 1/16W	
133	1602 7084	Filter - TU20M	
134	1630 2471	Resistor - 470Ω 1/8W ±5%	
135	1630 4101	Resistor - 100 Ω ±5% 1/16W	

Index No.	Part No.	Description	Q'ty Per Assembly
136	1630 4102	Resistor - 1.0K Ω \pm 5% 1/16W	
137	1630 4103	Resistor - 10K Ω \pm 5% 1/16W	
138	1630 4105	Resistor - 1.0M Ω \pm 5% 1/16W	
139	1630 4154	Resistor - 150k Ω \pm 5%,1/16w	
140	1630 4221	Resistor - 220 Ω \pm 5% 1/16W	
141	1630 4222	Resistor - 2.2k Ω - \pm 5%	
142	1630 4223	Resistor - 22k Ω - \pm 5% - 1/16w	
143	1630 4333	Resistor - 33K Ω \pm 5% 1/16W	
144	1634 0000	Resistor - 0 Ω - 1/16w	
145	1634 1691	Resistor - 1.69K Ω \pm 1% 1/16W	
146	1634 2001	Resistor - 2.00K Ω \pm 1% 1/16W	
147	1634 3321	Resistor - 3.32K Ω \pm 1% 1/16W	
148	1640 5470	Capacitor - 47 μ F \pm 20% 50V	
149	1642 0101	Capacitor - 100 μ F \pm 20% 50V	
150	1660 2220	Capacitor - 22pF \pm 20% 35V	
151	1660 2331	Capacitor - 330pF \pm 5% 50V	
152	1660 4102	Capacitor - 1000pF \pm 10% 50V	
153	1660 4103	Capacitor - 10000pF - \pm 10% - 50V	
154	1660 7104	Capacitor - 100000pF 50V	
155	1660 8104	Capacitor - 0.1 μ F+80-20% 25V	
156	1902 0006	IC - SRAM 256KX8 70NS G1	



Index No.	Part No.	Description	Q'ty Per Assembly

12.DECAL AND DOCUMENT (G031)

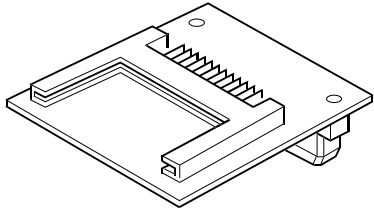
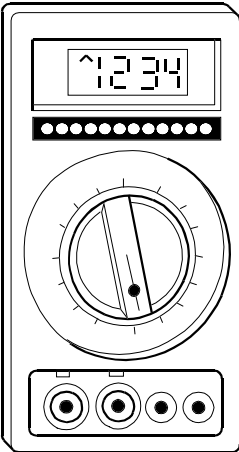
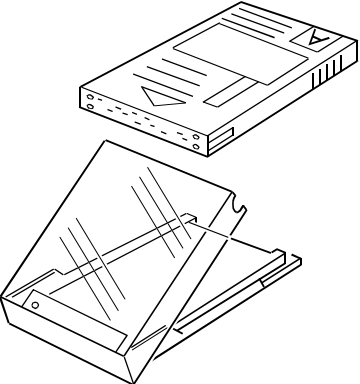
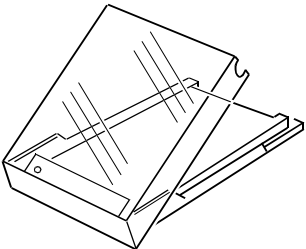
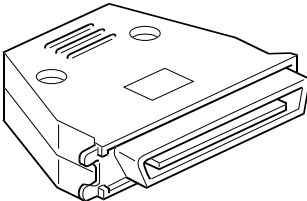
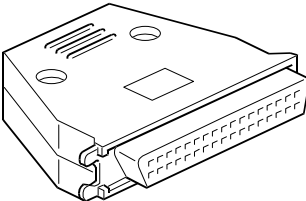
<p>1</p>	<p>6</p>	
<p>2</p>	<p>7</p>	
<p>3</p>	<p>4</p>	<p>8</p>
<p>5</p>	<p>9</p>	<p>10</p>

12.DECAL AND DOCUMENT (G031)


Index No.	Part No.	Description	Q'ty Per Assembly
1	G029 3862	Deca - Misfeed Removal	1
2	G029 2636	Decal - Cassette	1
3	H516 4095	Decal - Energystar (120V)	1
4	G029 4153	Deca - High Temperature	1
5	G029 1980	Decal - LD	1
6	G029 2605	Label	1
7	G029 1258	Decal - By-pass Feed	1
8	G020 1917	Decal - LD	1
9	G029 1983	Decal - Laser Diode - Class1-EU(230V)	1
10	G031 8607	Operating Instructions - LT English	1

Index No.	Part No.	Description	Q'ty Per Assembly

13.SPECIAL TOOLS (G031)

<p>1</p> 	<p>2</p> 	<p>3</p> 
<p>4</p> 	<p>5</p> 	<p>6</p> 

13.SPECIAL TOOLS (G031)

Index No.	Part No.	Description	Q'ty Per Assembly
1	G031 9350	IC Card Adapter P3/P4	1
2	A029 9387	Digital Multimeter - Fluke87	1
3	A230 9352	Flash Memory Card - 4MB	1
4	A230 9351	Case - Flash Memory Card	1
5	G021 9350	Loopback Connector - Parallel	1
6	G010 9351	Loopback Connector - RS232C	1
			

Index No.	Part No.	Description	Q'ty Per Assembly

PARTS INDEX

Part No.	Description	Page and Index No.
G031 1920	Operation Panel Harness	7- 14
G031 5720	Main Control Board	17- 9
G031 5720	Main Control Board	23- *
G031 5903	IC - ASIC ROCKY_W	23- 1
G031 5904	Oscillator - SG8002JASC	23- 2
G031 5941	IC - MSM27C1602CZ-NGS-K	23- 3
G031 8607	Operating Instructions - LT English	29- 10
G031 9350	IC Card Adapter P3/P4	31- 1

Part No.	Description	Page and Index No.
AA15 0332	Seal - 0.19x18x22	11- 8
AG07 0014	Magnet Catch	7- 7
AW02 0086	Photointerruptor	9- 17
AW02 0086	Photointerruptor	13- 11
G010 9351	Loopback Connector - RS232C	31- 6
G020 1392	Screw - M3X8	17- 2
G020 1903	Right Holder - Btl Lens	11- 23
G020 1904	Left Holder - Btl Lens	11- 22
G020 1906	Left Holder - F Theta Mirror	11- 19
G020 1907	Right Holder - F Theta Mirror	11- 20
G020 1917	Decal - LD	29- 8
G020 1968	F Theta Mirror	11- 18
G020 1969	Btl Lens	11- 21
G020 5439	Harness - Polygon Mirror Motor	11- 5
G021 9350	Loopback Connector - Parallel	31- 5
G029 1012	Left Lock Lever	7- 15
G029 1013	Right Lock Lever	7- 34
G029 1042	Toner End Sensor	19- 1
G029 1055	Duct Sheet	17- 28
G029 1056	Duct Shield	17- 26
G029 1060	Base Plate	19- 21
G029 1061	Toner End Sensor Bracket	19- 2
G029 1062	Toner End Sensor Holder	19- 4
G029 1064	Toner End Sensor	19- 5
G029 1065	Right Rail	19- 17
G029 1066	Left Rail	19- 7
G029 1070	Drum Shutter Arm	7- 16
G029 1077	Shielding Plate	17- 21
G029 1080	Grounding Plate - Charge	17- 14
G029 1081	Grounding Plate - Drum	17- 17
G029 1083	Grounding Plate	17- 16
G029 1085	Safety Switch Cam	17- 19
G029 1086	Shielding Plate	17- 23
G029 1087	Shielding Plate Holder	17- 22
G029 1088	Tension Spring	17- 20

Part No.	Description	Page and Index No.
G029 1091	Left Fusing Lever	3- 1
G029 1092	Right Fusing Lever	3- 5
G029 1094	Grounding Plate - Transport	9- 15
G029 1095	Grounding Plate - 2nd	19- 16
G029 1100	Drive Housing	15- 19
G029 1103	Support Plate - Drive Shaft	15- 13
G029 1105	Gear - C1	15- 15
G029 1108	Gear - C4	15- 17
G029 1109	Gear - C5	15- 18
G029 1110	Gear - C6	15- 12
G029 1111	Gear - C7	15- 11
G029 1112	Gear - C8	15- 9
G029 1113	Gear - C9	15- 10
G029 1114	Gear - C10	15- 8
G029 1117	Gear - C2	15- 16
G029 1118	Gear - C3	15- 14
G029 1150	Bracket - DLT	19- 11
G029 1151	Bracket - A3	19- 11
G029 1154	Bushing - Tb-1216	19- 14
G029 1155	Shielding Plate	17- 10
G029 1158	Grounding Plate	19- 10
G029 1159	Grounding Plate	17- 3
G029 1160	Electrical Components Cover - A3	17- 4
G029 1161	Insulating Sheet	17- 5
G029 1250	Front Cover - A3	7- 36
G029 1253	Left Harness Cover - P3	7- 17
G029 1255	Magnet Catch Stay	7- 37
G029 1258	Decal - By-pass Feed	7- 39
G029 1258	Decal - By-pass Feed	29- 7
G029 1259	Right Harness Cover - P3	7- 35
G029 1260	Upper Cover	3- 4
G029 1261	Left Cover - LT	3- 2
G029 1262	Right Cover - LT	3- 6
G029 1263	Exit Guide - LT	3- 3
G029 1270	Fusing Cover	13- 3

Part No.	Description	Page and Index No.
G029 1291	Left Cover A4	3- 2
G029 1292	Right Cover A4	3- 6
G029 1293	Exit Guide A4	3- 3
G029 1417	Control Panel - LT	7- 13
G029 1427	Control Panel - A4	7- 13
G029 1871	Optical Unit	11- 1
G029 1881	LD Unit	11- 9
G029 1905	Lens Holder	11- 12
G029 1906	Laser Diode Unit Shutter	11- 10
G029 1910	Grounding Plate	11- 4
G029 1911	Optical Housing Cover	11- 3
G029 1915	Upper Holder - Mirror	11- 16
G029 1916	Mirror Holder	11- 15
G029 1961	Polygon Scanner	11- 6
G029 1963	Mirror	11- 14
G029 1966	Rubber Bushing	11- 11
G029 1966	Rubber Bushing	11- 17
G029 1972	Shield Glass	17- 27
G029 1975	Cylindrical Lens	11- 13
G029 1980	Decal - LD	19- 15
G029 1980	Decal - LD	29- 5
G029 1983	Decal - Laser Diode - Class1-EU(230V)	29- 9
G029 2540	Paper Cassette - LT	5- 1
G029 2541	Paper Cassette - A4	5- 1
G029 2551	Registration Roller - Drive	9- 10
G029 2552	Registration Roller	9- 12
G029 2553	Registration Shaft	9- 13
G029 2554	Compression Spring	9- 5
G029 2555	Turn Roller	9- 2
G029 2556	Registration Feeler	9- 1
G029 2557	Registration Cover	9- 8
G029 2558	Bushing	9- 11
G029 2559	Turn Guide Plate	9- 7
G029 2560	Bushing - 8mm	9- 9
G029 2561	Compression Spring	7- 33

Part No.	Description	Page and Index No.
G029 2562	Rear Guide - Registration	9- 4
G029 2563	Film Cleaner - Registration	9- 3
G029 2564	Turn Guide	9- 6
G029 2601	Front Cassette	5- 3
G029 2602	Rear Cassette	5- 15
G029 2605	Label	5- 14
G029 2605	Label	29- 6
G029 2607	Base Plate	5- 12
G029 2608	Base Pad	7- 4
G029 2608	Base Pad	5- 7
G029 2609	Cassette Protection	5- 10
G029 2627	Sound Proofing Material - Right	5- 19
G029 2628	Sound Proofing Material - Left	5- 18
G029 2630	Paper Size Sensor Actuator (LT)	5- 17
G029 2633	Paper Size Sensor Actuator (A4)	5- 17
G029 2636	Decal - Cassette	29- 2
G029 2636	Decal - Cassette	5- 2
G029 2637	Friction Pad	5- 8
G029 2653	Paper Feed Shaft	9- 21
G029 2654	Bushing - Paper Feed Roller	9- 23
G029 2655	Guide Film	9- 25
G029 2657	Compression Spring	9- 22
G029 2700	By-pass Feed Unit	7- 1
G029 2701	Manual Feed Table	7- 9
G029 2702	Tray Bottom Plate	7- 5
G029 2703	Right Side Fence	7- 3
G029 2704	Left Side Fence	7- 2
G029 2705	Extention Tray	7- 10
G029 2706	Sub Tray	7- 11
G029 2707	Spring - 2.6N	7- 8
G029 2708	Pad	7- 12
G029 2709	Bottom Plate Shield	7- 40
G029 2710	Side Fence Shield	7- 41
G029 2711	Mylar - 10x33	7- 42
G029 2750	By-pass Feed Roller	9- 29

Part No.	Description	Page and Index No.
G029 2752	Spring Clutch - 1kgf	15- 2
G029 2755	By-pass Feed Feeler	9- 31
G029 2756	By-pass Feed Cover	9- 30
G029 2757	Spring - 2.75N	9- 28
G029 2759	By-pass Feed Shield	9- 26
G029 2763	Friction Pad - By-pass Feed	9- 27
G029 3850	Transfer Roller - A3	7- 31
G029 3854	Compression Spring	7- 32
G029 3857	Transfer Roller Shutter - A3	7- 27
G029 3858	Shutter Spring	7- 26
G029 3859	Release Plate	7- 29
G029 3861	Release Spring	7- 28
G029 3862	Deca - Misfeed Removal	7- 18
G029 3862	Deca - Misfeed Removal	29- 1
G029 3863	Discharge Brush	7- 24
G029 3864	Discharge Brush Terminal	7- 23
G029 3865	Gear - 30Z	7- 22
G029 3866	Positioning Roller	7- 30
G029 3867	Shutter Cushion	7- 38
G029 4064	Fusing Entrance Guide	13- 1
G029 4066	Trun Roller	13- 50
G029 4101	Fusing Frame	13- 32
G029 4106	Pressure Roller Case	13- 9
G029 4110	Hot Roller	13- 27
G029 4116	Ground Plat	13- 45
G029 4117	Discharge Brush:Fusing Unit	13- 46
G029 4120	Pressure Roller	13- 13
G029 4131	Idler Gear - Fusing	13- 41
G029 4132	Idler Gear - Exit	13- 8
G029 4133	Screw Cover (230V)	13- 49
G029 4135	Pressure Roller Lever	13- 7
G029 4136	Right Release Lever	13- 5
G029 4137	Left Release Lever	13- 10
G029 4138	Fusing Harness Cover	13- 23
G029 4139	Heater Holder	13- 30

Part No.	Description	Page and Index No.
G029 4140	External Circlip	13- 19
G029 4141	Grounding Plate 1	13- 18
G029 4143	Pickoff Pawl Spring	13- 24
G029 4144	Grounding Plate 2	13- 29
G029 4145	Bracket - Idler Ass'y	13- 42
G029 4148	Left Support Plate	13- 31
G029 4149	Right Support Plate	13- 17
G029 4150	Pressure Spring	13- 4
G029 4151	Stripper Pawl Stopper	13- 34
G029 4153	Deca - High Temperature	29- 4
G029 4153	Deca - High Temperature	13- 2
G029 4154	Thermistor Shield	13- 48
G029 4159	Screw - M3X13	13- 43
G029 4161	Thermofuse - 169°C	13- 22
G029 4171	Hot Roller Gear	13- 20
G029 4172	Hot Roller Bushing	13- 21
G029 4173	Hot Roller Bushing 2	13- 26
G029 4174	Pressure Roller Bushing	13- 6
G029 4175	Stripper Pawls	13- 25
G029 4180	Exit Roller	13- 15
G029 4181	Exit Roller	13- 37
G029 4183	Spring Plate 1	13- 39
G029 4184	Spring Plate 2	13- 38
G029 4185	Exit Roller Gear	13- 16
G029 4186	Exit Sensor Feeler	13- 12
G029 4187	Exit Guide Plate	13- 47
G029 4191	Fusing Lamp - 120V 700W	13- 28
G029 4192	Fusing Lamp - 230V 700W	13- 28
G029 4196	Thermistor Ass'y - 120V	13- 40
G029 4197	Thermistor Ass'y - 230V	13- 40
G029 4198	Spring Plate - SUB 1	13- 44
G029 4199	Spring Plate - Sub 2	13- 35
G029 4200	Drawer Screw	17- 24
G029 4201	PCU Sensor Holder	13- 33
G029 5111	Engine Control Board - 230V	17- 8

Part No.	Description	Page and Index No.
G029 5111	Engine Control Board - 230V	27- *
G029 5116	Engine Control Board - 120V	17- 8
G029 5116	Engine Control Board - 120V	27- *
G029 5158	IC - UVEPROM 1M X8 100NS	27- 1
G029 5190	IC - UPD65640G-J286-3EB	27- 2
G029 5310	High Voltage Supply Board	19- 9
G029 5400	Registration Sensor Harness	9- 18
G029 5401	Fst Harness	9- 20
G029 5401	FST Harness	19- 19
G029 5402	Fusing Unit Harness	17- 25
G029 5402	Fusing Unit Harness	19- 22
G029 5406	Power Pack Harness - P3	17- 7
G029 5407	Power Supply Cord	17- 6
G029 5408	Main Switch Harness (120V)	17- 12
G029 5412	Harness - Inret 230V	17- 12
G029 5412	Harness - Inret 230V	17- 30
G029 5413	High Voltage Harness - C	17- 13
G029 5414	High Voltage Harness - T	7- 21
G029 5415	High Voltage Harness - B	17- 15
G029 5416	Grounding Wire Harness - Drum	19- 13
G029 5416	Grounding Wire Harness - Drum	17- 29
G029 5418	Discharge Harness	19- 12
G029 5418	Discharge Harness	7- 25
G029 5419	Toner End Sensor Harness	19- 23
G029 5420	Option Fst Harness	19- 18
G029 5421	Safety Switch Harness	17- 18
G029 5430	Harness - Optical Control	11- 2
G029 5431	Harness - DC Motor	15- 7
G029 5501	Fam Moter - DC24V	15- 1
G029 5502	Main Motor - 24V 18W/10W	15- 6
G029 5510	DC Solenoid	15- 3
G029 5511	Magnetic Clutch - Registration	15- 5
G029 5512	Magnetic Clutch - Paper Feed	9- 16
G029 5520	Power Supply Cord - 120V	17- 11
G029 5526	Inlet - P3	17- 11

Part No.	Description	Page and Index No.
G030 1052	Rubber Foot	19- 6
G030 3858	Pressure Spring	7- 19
G031 1920	Operation Panel Harness	7- 14
G031 5720	Main Control Board	23- *
G031 5720	Main Control Board	17- 9
G031 5903	IC - ASIC ROCKY_W	23- 1
G031 5904	Oscillator - SG8002JASC	23- 2
G031 5941	IC - MSM27C1602CZ-NGS-K	23- 3
G031 8607	Operating Instructions - LT English	29- 10
G031 9350	IC Card Adapter P3/P4	31- 1
G800 1175	Board Cover	17- 1
G800 1217	Toner End Sensor Spring	19- 3
G800 3011	Paper Feed Roller	9- 24
G800 3035	Push SW - Paper Size	19- 20
G800 3115	Right Side Fence	5- 16
G800 3119	Left Side Fence	5- 6
G800 3123	Paper End Fence	5- 13
G800 3129	Cassette Arm	5- 4
G800 3131	Bottom Plate Spring	5- 5
G800 3133	Side Fence Gear	5- 11
G800 3133	Side Fence Gear	7- 6
G800 3147	Pressure Spring - 2.8N	5- 9
G800 4851	Bushing	13- 14
G800 4854	Exit Roller	13- 36
G800 5385	Paper Sensor	9- 19
GZ22 0001	Power Supply Unit - 120V	19- 8
GZ22 0002	Power Supply Unit - 230V	19- 8
H515 2455	Holder - Transfer Roller - Left	7- 20
H516 4095	Decal - Energystar (120V)	29- 3
H521 3355	C Ring - Paper Feed Roller	15- 4

Part No.	Description	Page and Index No.
A029 9387	Digital Multimeter - Fluke87	31- 2
A230 9351	Case - Flash Memory Card	31- 4
A230 9352	Flash Memory Card - 4MB	31- 3
A232 5310	Laser Sync. Detector	11- 7

Part No.	Description	Page and Index No.
5053 0447	Bushing - 6mm	9- 14

Part No.	Description	Page and Index No
0353 0060Z	Screw - M3X6	17-101
0450 3008B	Tapping Screw - M3x8	17-105
0450 3008B	Tapping Screw - M3x8	7-102
0450 3008B	Tapping Screw - M3x8	15-102
0450 3008B	Tapping Screw - M3x8	13-104
0450 3010B	Tapping Screw - M3x10	19-103
0450 3010B	Tapping Screw - M3x10	9-101
0450 3010B	Tapping Screw - M3x10	13-102
0450 3010Z	Tapping Screw With Washer - M 3x10	13-101
0450 3012B	Tapping Screw -3x12	3-102
0450 3012B	Tapping Screw -3x12	19-104
0450 3012B	Tapping Screw -3x12	13-105
0450 3016B	Tapping Screw - M3x16	9-102
0450 3016B	Tapping Screw - M3x16	17-107
0450 4035B	Philips Tapping Screw - M4x35	15-101
0451 3006B	Tapping Screw - M3x6	17-102
0451 3006B	Tapping Screw - M3x6	11-104
0451 3006B	Tapping Screw - M3x6	19-101
0451 3008B	Tapping Screw - M3x8	3-101
0452 3008B	Tapping Screw - M3x8	11-102
0452 3008B	Tapping Screw - M3x8	7-103
0452 3010B	Tapping Bind Screw - M3x10	11-103
0452 4010B	Tapping Bind Screw - M4x10	15-103
0950 4010B	Sem,s Screw M4 x 10	17-104
0954 3008B	Philips Screw - M3x8	13-103
1102 4201	Connector - 2P	27-101
1102 4203	CT Header - 4P	27-102
1102 4206	Connector - 7P	27-103
1102 4209	CT Header - 10P	27-104
1102 4212	CT Header - 15P	27-105
1102 4619	Connector - 2P	27-106
1102 4623	CT Connector - 6P	27-107
1102 4627	Connector - 10P	27-108
1102 4631	CT Connector - 2P	27-109
1102 4643	CT Connector - 2P	27-110

Part No.	Description	Page and Index No.
1102 4650	Connector - 9P	27-111
1102 5305	Connector - 6P	27-112
1102 5409	Connector - 20P	23-101
1102 5943	Connector - 2P	27-113
1102 6301	Connector - 8P	27-114
1102 7052	Connector - 14P	27-115
1102 7358	Connector - 80P	23-102
1102 7529	Connector - 20P	27-116
1102 7553	Connector Sx1ba-72s-0.6	23-103
1102 7920	Connector - 52831-2010	23-104
1102 7989	Connector - TB01207-S2	23-105
1104 0378	IC Socket - 24P - DICF	23-106
1104 0511	IC Socket - 8P - DICF-8CS-E	27-117
1104 0589	Dip Socket - 32P	27-118
1104 0739	Simm Socket 72P	23-107
1105 0109	Cord Keep	7-101
1105 0109	Cord Keep	11-101
1105 0266	Clamp	19-105
1105 0348	Clamp	19-102
1105 0352	Clamp	19-109
1105 0352	Clamp	17-103
1105 0359	Clamp	11-105
1105 0368	Clump - MN-2	19-110
1107 0868	Fuse - 5A 125V (120V)	19-108
1107 0868	Fuse - 5A 125V (120V)	19-106
1107 0877	Fuse - 3.15A 250V (230V)	19-106
1107 0880	Fuse - 6.3A 250V (230V)	19-107
1107 0884	Fuse - 5A 250V (230V)	19-108
1107 0887	Fuse 250V 15A (120V)	19-107
1204 2355	Micro Switch - AM51632A531	17-106
1204 2368	Dip Switch - DSS804	23-108
1204 2477	Locker Switch - Ac250V 10A	17-108
1402 0478	Diode - 1SS226TE85L	27-119
1402 1336	Diode - 1SS355	27-120
1402 1343	Diode - RB106L-40	23-109

Part No.	Description	Page and Index No.
1407 2052	TTLIC - SN74LS74ANS	23-110
1407 2187	TTLIC - SN74LS07NS	23-111
1407 2187	TTLIC - SN74LS07NS	27-121
1407 2218	TTLIC - SN74LS06NS	27-122
1407 2219	IC - TD62003AP	27-123
1407 2463	TTL IC SN74ALS08NS	23-112
1407 3292	IC - TC74HCT244AF	23-113
1407 3357	Comparator - BA10393F	27-124
1407 4304	IC - EEPROM-BR93LC46A	27-125
1407 4467	CMOSIC - TC74HCT273AF	23-114
1407 4754	IC - HD6413002F16	27-126
1407 4997	IC - AT28C16E-15PC	23-115
1407 5025	IC - UPD30210GB-133-MBB	23-116
1407 5040	IC - SN74LVC161284DL	23-117
1407 5093	IC - LH28F320S5NS-L90	23-118
1408 0611	IC - 3771	23-119
1408 1012	IC - L78050CV	27-127
1408 1223	Ditector - RN5VD42C	27-128
1408 1295	IC - UPC2933T	23-120
1503 0233	Oscillator - 16MHZ	27-129
1503 0878	Osicllator - 44.4Mhz	23-121
1600 1552	Resistor - 47Ω ±5% 2W	27-130
1601 5415	Resistor - 62 Ω ±5% 2W	27-131
1601 7812	Resistor Array - 100 Ω ±5% 1/16W	27-132
1602 7084	Filter - TU20M	27-133
1605 0453	Capacitor - 2200pF ±10	23-122
1605 0912	Capacitor - 0.082μF ±1	23-123
1605 0942	Capacitor - 0.22μF +80	23-124
1607 0622	Ferrite Core TFC161816 (230V)	7-104
1607 0622	Ferrite Core TFC16816 (120V)	17-109
1607 1018	Filter - ACB1608H-120	23-125
1607 1041	Filter - ACB1608M-300	23-126
1607 1069	IC - HF30ACC201209	23-127
1607 1127	IC - DS1000Z-20	23-128
1630 2471	Resistor - 470Ω 1/8W ±5%	27-134

Part No.	Description	Page and Index No.
1630 3330	Resistor - 33 Ω \pm 5%	23-129
1630 3519	Resistor - 5.1 Ω \pm 5%	23-130
1630 4101	Resistor - 100 Ω \pm 5% 1/16W	27-135
1630 4102	Resistor - 1.0K Ω \pm 5%	23-131
1630 4102	Resistor - 1.0K Ω \pm 5% 1/16W	27-136
1630 4103	Resistor - 10K Ω \pm 5%	23-132
1630 4103	Resistor - 10K Ω \pm 5% 1/16W	27-137
1630 4104	Resistor - 100 Ω \pm 5%	23-133
1630 4105	Resistor - 1.0M Ω \pm 5% 1/16W	27-138
1630 4122	Resistor - 1.2K Ω 5%	23-134
1630 4124	Resistor - 120K Ω \pm 5	23-135
1630 4154	Resistor - 150k Ω \pm 5%,1/16w	27-139
1630 4221	Resistor - 220 Ω \pm 5% 1/16W	27-140
1630 4222	Resistor - 2.2k Ω - \pm 5%	27-141
1630 4223	Resistor - 22k Ω - \pm 5% - 1/16w	27-142
1630 4330	Resistor - 33 Ω \pm 5%	23-136
1630 4333	Resistor - 33K Ω \pm 5% 1/16W	27-143
1630 4470	Resistor - 470 Ω \pm 5%	23-137
1630 4472	Resistor - 4.7K Ω \pm 5%	23-138
1630 4519	Resistor - 5.1 Ω \pm 5%	23-139
1630 4680	Resistor - 68 Ω \pm 5%	23-140
1633 0000	Resistor - 0 Ω 1/10W	23-141
1634 0000	Resistor - 0 Ω - 1/16w	27-144
1634 0000	Resistor - 0 Ω - 1/16w	23-142
1634 1691	Resistor - 1.69K Ω \pm 1% 1/16W	27-145
1634 2001	Resistor - 2.00K Ω \pm 1% 1/16W	27-146
1634 3321	Resistor - 3.32K Ω \pm 1% 1/16W	27-147
1640 5470	Capacitor - 47 μ F \pm 20% 50V	27-148
1642 0101	Capacitor - 100 μ F \pm 20% 50V	27-149
1642 0101	Capacitor - 100 μ F \pm 20%	23-143
1642 2470	Capacitor - 47 μ F \pm 20%	23-144
1643 2100	Capacitor - 10 μ F \pm 20%	23-145
1660 2220	Capacitor - 22pF \pm 20%	23-146

Part No.	Description	Page and Index No.
1660 2220	Capacitor - 22pF \pm 20% 35V	27-150
1660 2331	Capacitor - 330pF \pm 5% 50V	27-151
1660 3121	Capacitor - 120pF \pm 5% 50V	23-147
1660 3220	Capacitor - 122pF \pm 5%	23-148
1660 3221	Capacitor - 220pF \pm 5%	23-149
1660 3330	Capacitor - 33pF \pm 5% 5	23-150
1660 3680	Capacitor	23-151
1660 4102	Capacitor - 1000pF \pm 10% 50V	27-152
1660 4103	Capacitor - 10000pF - \pm 10% - 50V	27-153
1660 5102	Capacitor - 1000pF \pm 10	23-152
1660 7104	Capacitor - 100000pF 50V	27-154
1660 8104	Capacitor - 0.1 μ F +80-20% 25V	27-155
1660 9104	C - 0.1 μ F 25V	23-153
1902 0006	IC - SRAM 256KX8 70NS G1	27-156
1903 1008	IC - 16M 1MX16 60NS EDO	23-154

STINGER P4 (G032)

PARTS CATALOG

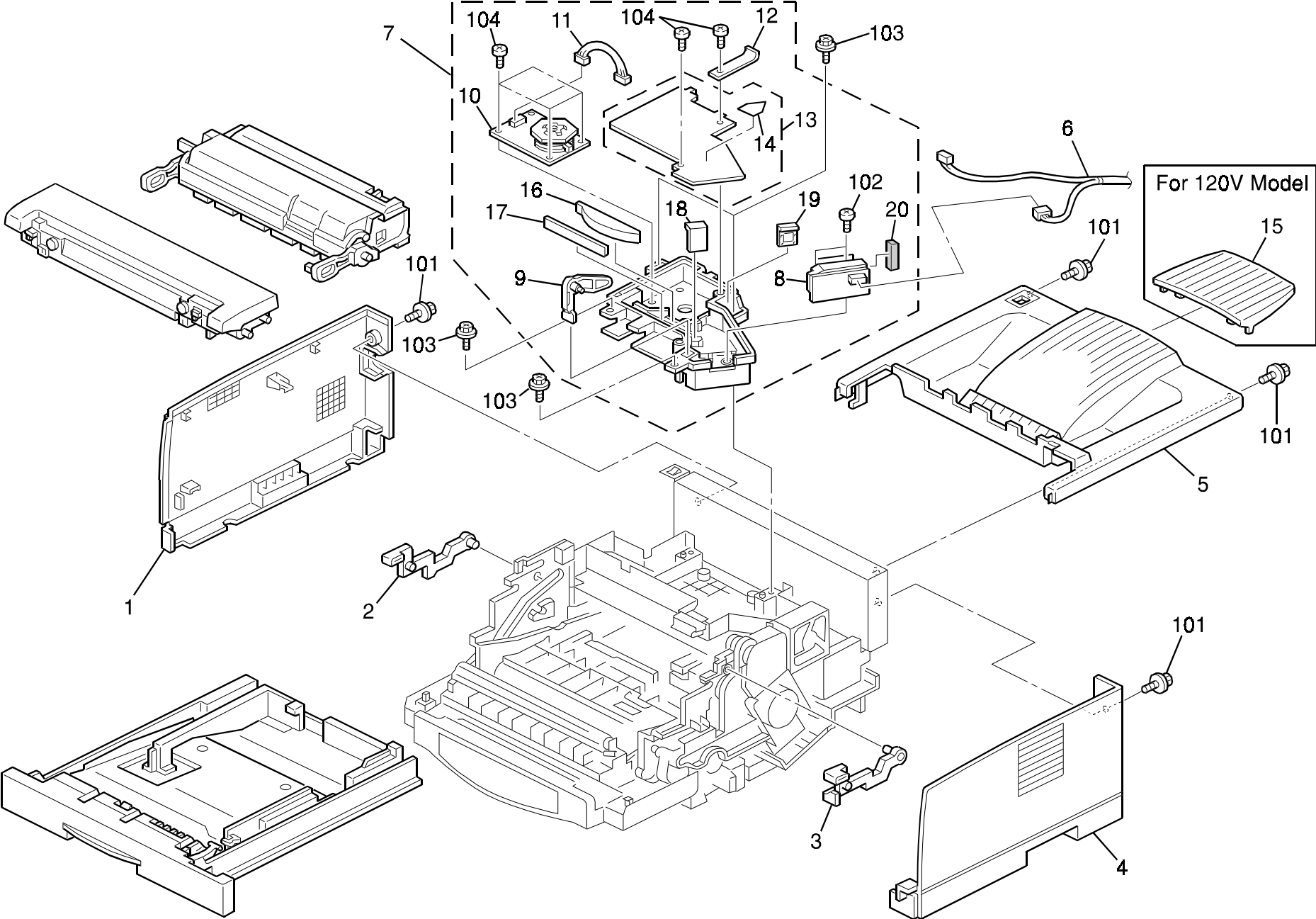
INTRODUCTION

This chapter instructs you the numbers and names of parts on this machine.

INDEX to PARTS CATALOG

1.EXTERIOR (G032)	2
2.CASSETTE (G032)	4
3.BY-PASS FEED (G032)	6
4.PAPER FEED SECTION (G032).....	8
5.FUSING UNIT (G032)	10
6.DRIVE SECTION (G032)	12
7.ELECTRICAL SECTION (G032)	14
8.MAINCONTROL BOARD (G032)	16
9.ENGIN CONTROL BOARD (G032).....	20
10.DECAL AND DOCUMENT (G032)	24
11.SPECIAL TOOLS (G032)	26
PARTS INDEX	29

1.EXTERIOR (G032)

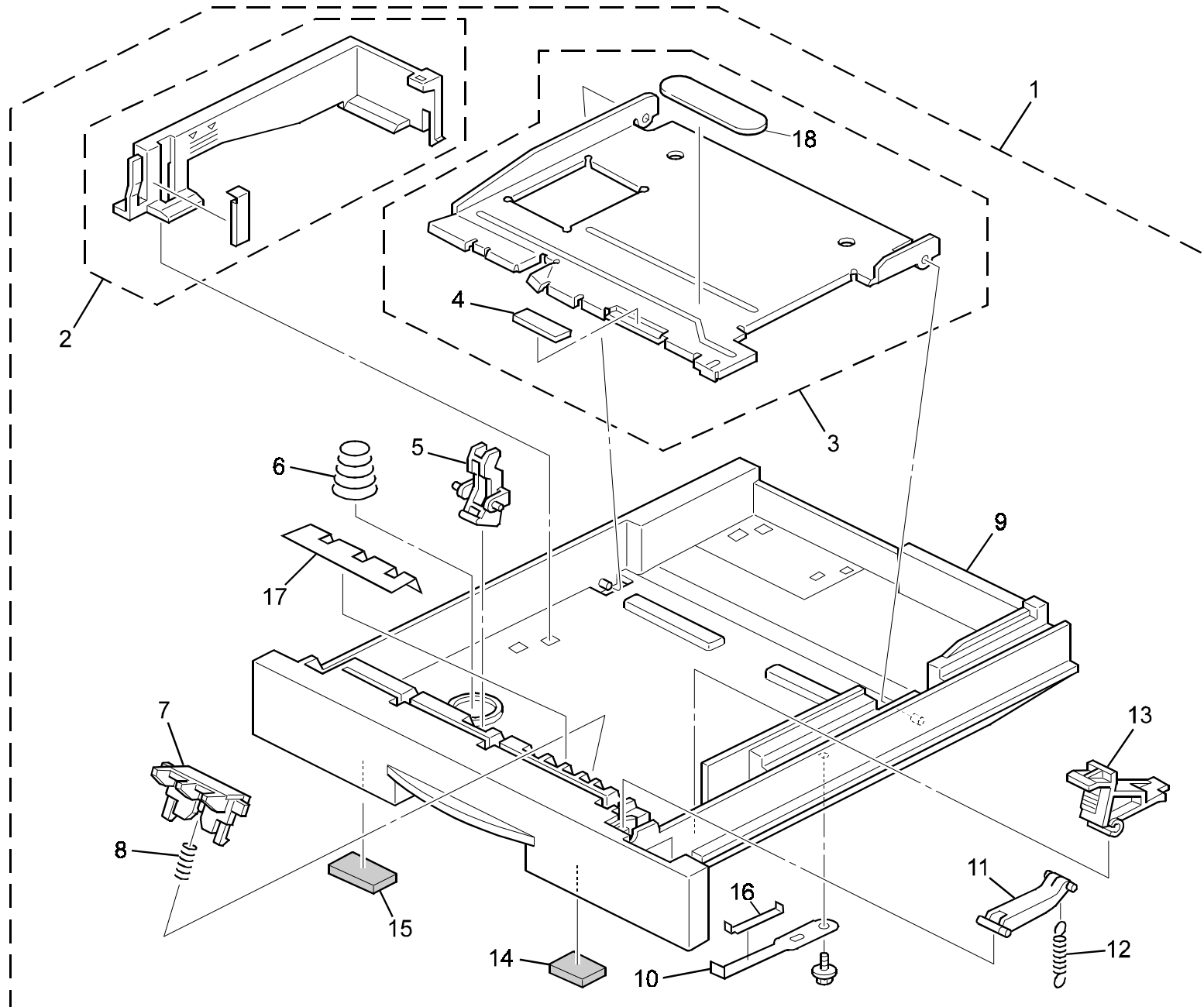


1.EXTERIOR (G032)






Index No.	Part No.	Description	Q'ty Per Assembly
1	G030 1261	Left Cover - LT	1
1	G030 1291	Left Cover - A4	1
2	G029 1091	Left Fusing Lever	1
3	G029 1092	Right Fusing Lever	1
4	G030 1262	Right Cover - LT	1
4	G030 1292	Right Cover - A4	1
5	G030 1390	Upper Cover - LT	1
5	G030 1290	Upper Cover (A4)	1
6	G030 5430	Optical Control Harness	1
7	G030 1990	Optical Unit	1
8	G030 1913	LD Unit	1
9	G030 1944	Shutter	1
10	G030 1921	Polygon Scanner	1
11	G020 5439	Harness - Polygon Mirror Motor	1
12	G030 1943	Grounding Plate	1
13	G030 1941	Optical Housing Cover	1
14	G020 1917	Decal - LD	1
15	G030 1393	Support Tray	1
16	G025 2732	F-Theta Lens	1
17	G030 1931	Shield Glass	1
18	G025 2730	Cylindrical Lens	1
19	G025 2731	Syinchronizing Detector Lens	1
20	G030 1950	Sponge	1

Index No.	Part No.	Description	Q'ty Per Assembly
101	0451 3008B	Tapping Screw - M3x8	
102	0452 3010B	Tapping Bind Screw - M3x10	
103	0450 3008B	Tapping Screw - M3x8	
104	0452 3008B	Tapping Screw - M3x8	

2.CASSETTE (G032)

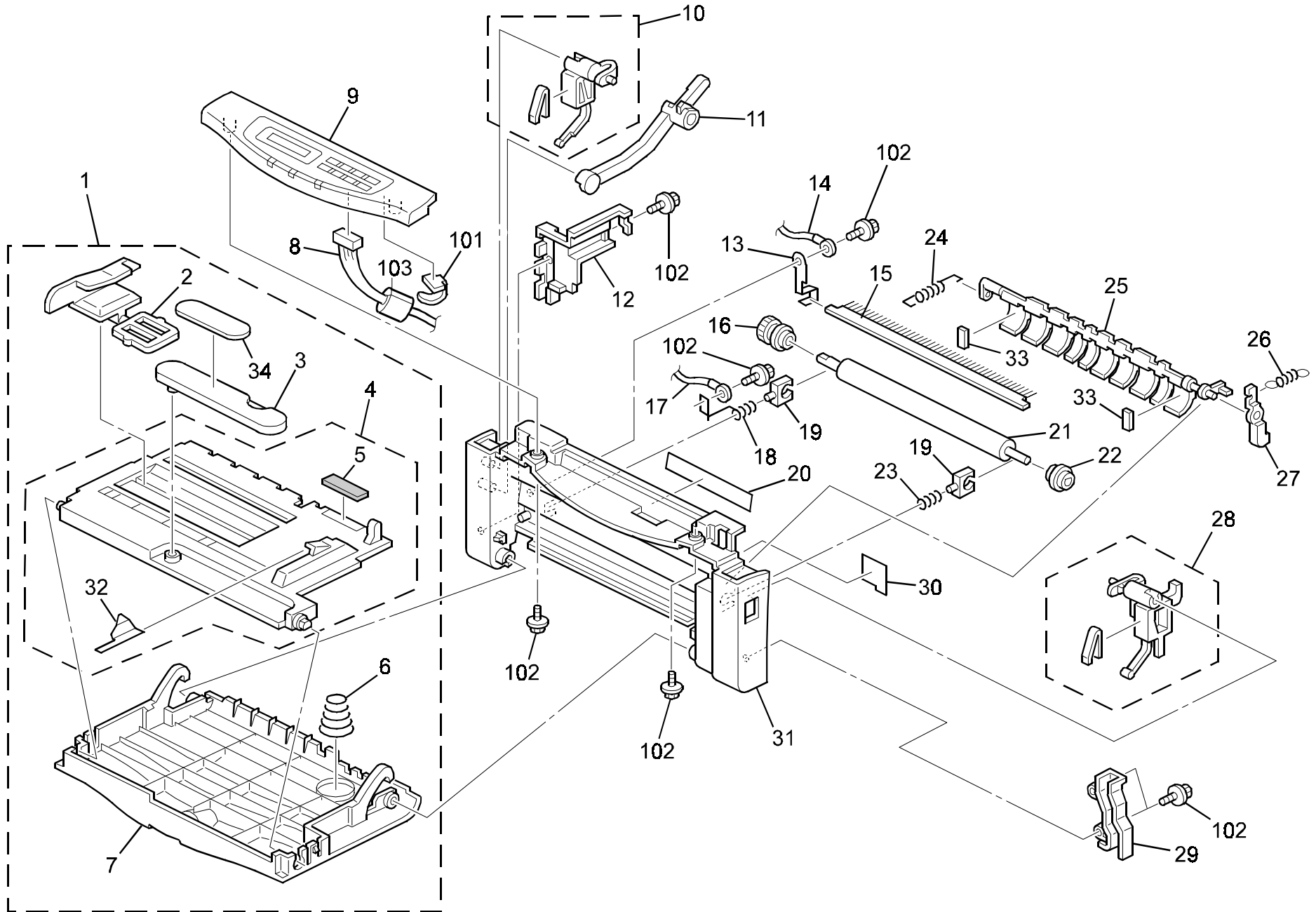


2.CASSETTE (G032)

Index No.	Part No.	Description	Q'ty Per Assembly
	1 G030 2550	Paper Cassette Ass'y	1
	2 G030 2572	Side Fence Ass'y	1
	3 G030 2570	Base Plate Ass'y	1
	4 G029 2608	Base Pad	1
	5 G030 2567	Cassette Stopper Plate	1
	6 G030 2661	Left Cassette Spring	1
	7 G030 2575	Friction Pad Ass'y	1
	8 G030 2660	Compression Spring	1
	9 G030 2560	Paper Cassette	1
	10 G030 2568	Spring Plate	1
	11 G800 3129	Cassette Arm	1
	12 G030 2651	Cassette Spring	1
	13 G030 2569	Stopper Base Plate	1
	14 G030 2561	Right Cushion	1
	15 G030 2562	Left Cushion	1
	16 G030 2579	Spring Plate	1
	17 G030 2563	Cassette Mylar	1
	18 G030 2596	Paper Stopper	1

Index No.	Part No.	Description	Q'ty Per Assembly
101	0450 3008B	Tapping Screw - M3x8	

3.BY-PASS FEED (G032)

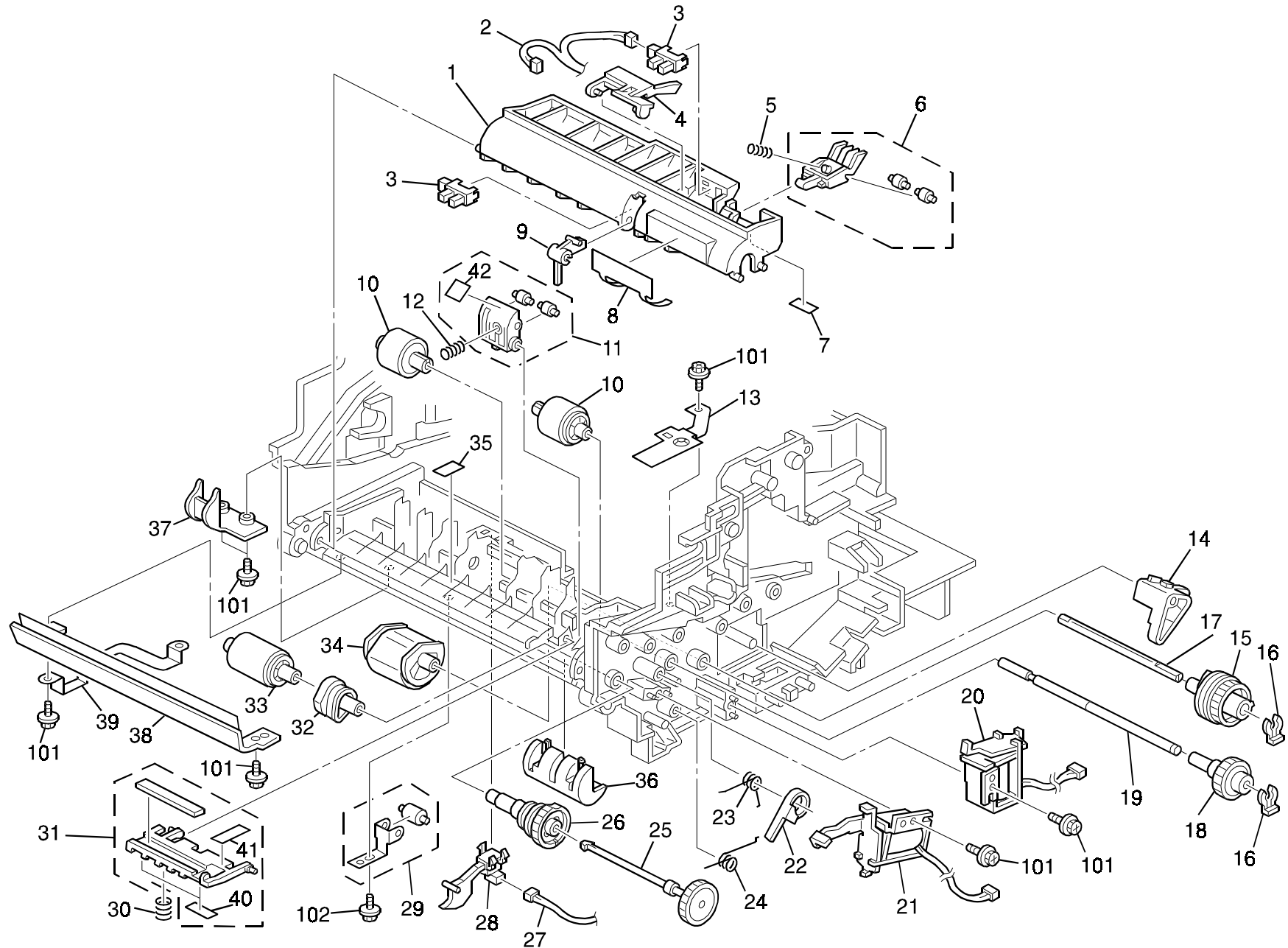


3.BY-PASS FEED (G032)

Index No.	Part No.	Description	Q'ty Per Assembly
1	G030 2580	By-pass Feed Unit	1
2	G030 2592	Side Fence - By-pass Feed	1
3	G030 2595	Paper Stopper - By-pass Feed	1
4	G030 2590	Bottom Plate - By-pass Feed	1
5	G030 2597	Base Pad	1
6	G030 2652	By-pass Feed Spring	1
7	G030 2593	By-pass Feed Cover	1
8	G031 1920	Operation Panel Harness	1
9	G030 1417	Control Panel - LT	1
9	G030 1427	Control Panel - A4	1
10	G030 1012	Left Lock Lever Ass'y	1
11	G029 1070	Drum Shutter Arm	1
12	G030 1253	Left Harness Cover	1
13	G029 3864	Discharge Brush Terminal	1
14	G029 5418	Discharge Harness	1
15	G030 3863	Discharge Brush	1
16	G030 3865	Gear - 30Z	1
17	G030 5414	High Voltage Harness - T	1
18	G030 3858	Pressure Spring	1
19	H515 2455	Holder - Transfer Roller - Left	2
20	G029 3862	Deca - Misfeed Removal	1
21	G030 3850	Transfer Roller	1
22	G030 3866	Positioning Roller	1
23	G029 3854	Compression Spring	1
24	G029 3858	Shutter Spring	1
25	G030 3857	Transfer Roller Shutter	1
26	G029 3861	Release Spring	1
27	G029 3859	Release Plate	1
28	G030 1013	Right Lock Lever Ass'y	1
29	G030 1254	Right Harness Cover	1
30	G030 1255	Control Panel Sheet	1
31	G030 1250	Front Cover	1
32	G030 2598	Side Fence Mylar	1
33	G029 3867	Shutter Cushion	2
34	G030 2596	Paper Stopper	1

Index No.	Part No.	Description	Q'ty Per Assembly
101	1105 0109	Cord Keep	
102	0450 3008B	Tapping Screw - M3x8	
103	1607 0622	Ferrite Core TFC161816 (230V)	

4.PAPER FEED SECTION (G032)



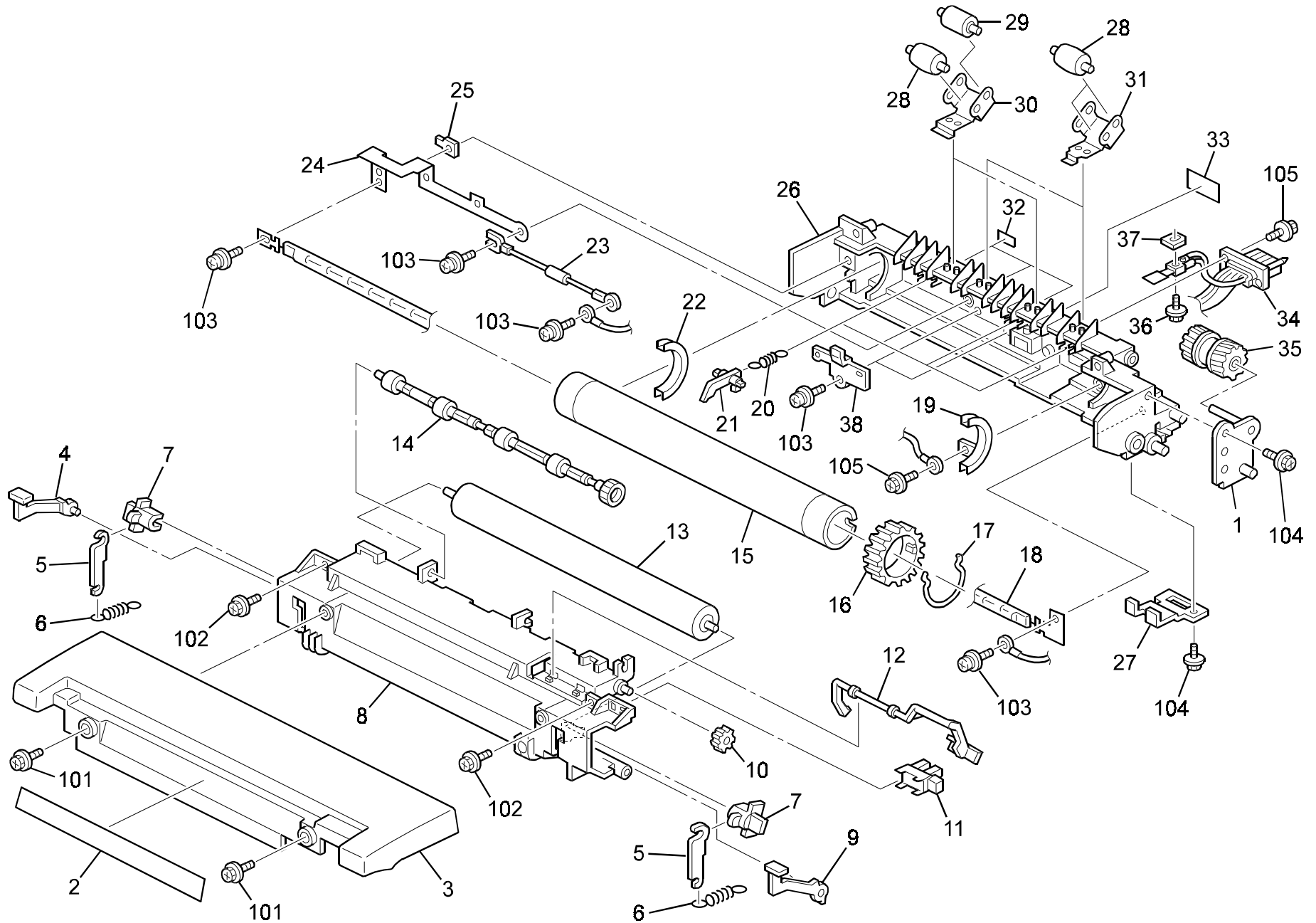
4.PAPER FEED SECTION (G032)

Index No.	Part No.	Description	Q'ty Per Assembly
1	G030 2622	Transport Guide	1
2	G030 5400	Registration Sensor Harness	1
3	AW02 0086	Photointerruptor	2
4	G030 2631	Registration Sensor Feeler	1
5	G030 2653	Upper Spring	1
6	G030 2624	Upper Roller Holder	1
7	G030 2623	Transport Guide Mylar	1
8	G030 2639	Entrance Guide Mylar	1
9	G030 2632	By-pass Feed Sensor Feeler	1
10	G030 2608	Transport Roller	2
11	G030 2627	Lower Roller Holder	1
12	G030 2654	Lower Spring	1
13	G030 1054	Grounding Plate	1
14	G030 2616	Pressure Release Cam	1
15	G030 2610	Paper Feed Gear - Cassette	1
16	H521 3355	C Ring - Paper Feed Roller	2
17	G030 2619	Paper Feed Roller Shaft	1
18	G030 2617	Transport Roller Gear	1
19	G030 2618	Transport Roller Shaft	1
20	G030 5510	DC Solenoid	1
21	G030 5511	DC Solenoid	1
22	G030 2665	Arm - By-pass Feed	1
23	G030 2657	Cam Spring	1
24	G030 2656	Gear Spring	1
25	G030 2612	Paper Feed Gear - By-pass Feed	1
26	G030 2613	Cam Gear - By-pass Feed	1
27	G030 5419	Fst Connectiong Harness	1
28	G030 2662	Surface Of Paper Sensor	1
29	G030 2641	Spring Plate - Transport Roller	1
30	G030 2659	Separation Spring	1
31	G030 2635	Friction Pad - By-pass Feed	1
32	G030 2672	By-pass Feed Cam	1
33	G030 2605	Paper Feed Roller - By-pass Feed	1
34	G030 2602	Paper Feed Roller - Cassette	1
35	G030 2647	Guide Film	1

Index No.	Part No.	Description	Q'ty Per Assembly
36	G030 2666	Turn Guide	1
37	G030 2678	Left Transfer Feed Guide	1
38	G030 2679	Paper Feed Guide	1
39	G030 2682	Grounding Plate	1
40	G030 2671	Balancer - Friction Pad	2
41	G030 2637	Mylar - 9x25	1
42	G030 2629	Mylar - 10x18	1
101	0450 3008B	Tapping Screw - M3x8	
102	0452 3008B	Tapping Screw - M3x8	



5.FUSING UNIT (G032)

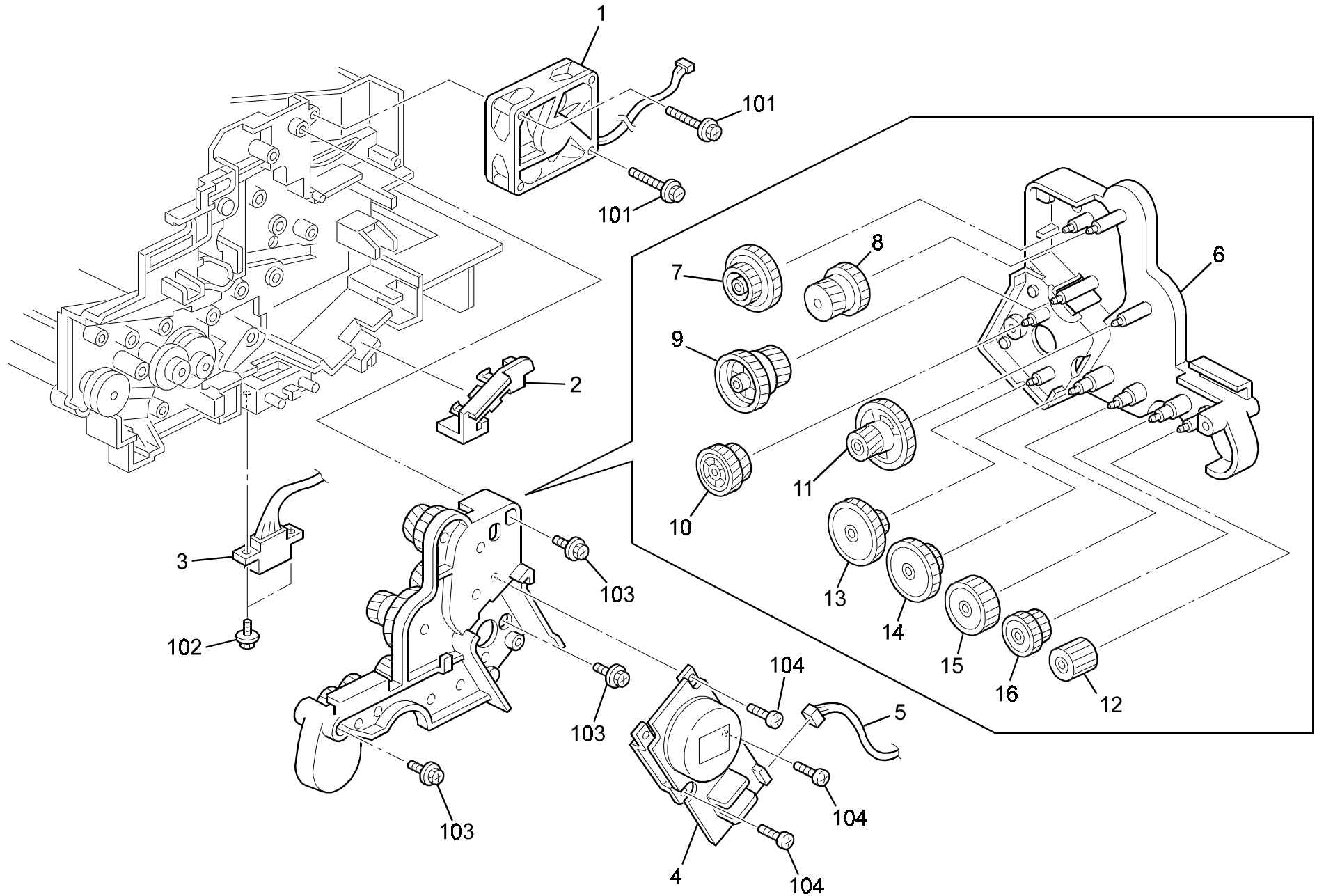


5.FUSING UNIT (G032)

Index No.	Part No.	Description	Q'ty Per Assembly
1	G029 4145	Bracket - Idler Ass'y	1
2	G029 4153	Deca - High Temperature	1
3	G030 1270	Fusing Cover	1
4	G029 4137	Left Release Lever	1
5	G029 4135	Pressure Roller Lever	2
6	G030 4242	Spring	2
7	G029 4174	Pressure Roller Bushing	2
8	G030 4205	Pressure Frame	1
9	G029 4136	Right Release Lever	1
10	G029 4132	Idler Gear - Exit	1
11	AW02 0086	Photointerruptor	1
12	G030 4288	Paper Feed Sensor Feeler	1
13	G030 4220	Pressure Roller	1
14	G030 4280	Exit Roller	1
15	G030 4210	Hot Roller	1
16	G029 4171	Hot Roller Gear	1
17	G029 4140	External Circlip	1
18	G030 4291	Fusing Lamp - 120V 500W	1
18	G030 4292	Fusing Lamp - 230V 500W	1
19	G030 4273	Hot Roller Bushing	1
20	G029 4143	Pickoff Pawl Spring	3
21	G029 4175	Stripper Pawls	3
22	G029 4172	Hot Roller Bushing	1
23	G029 4161	Thermofuse - 169°C	1
24	G030 4241	Grounding Plate	1
25	G029 4139	Heater Holder	1
26	G030 4201	Fusing Unit Frame	1
27	G029 4149	Right Support Plate	1
28	G800 4854	Exit Roller	6
29	G029 4181	Exit Roller	2
30	G030 4283	Spring Plate	2
31	G030 4284	Spring Plate	2
32	G030 4236	Spring Plate	3
33	G030 4235	Harness Guide Plate	1
34	G030 4296	Thermistor Ass'y - 120V	1

Index No.	Part No.	Description	Q'ty Per Assembly
34	G030 4297	Thermistor Ass'y - 230V	1
35	G029 4131	Idler Gear - Fusing	1
36	G029 4159	Screw - M3x13	1
37	G029 4154	Thermistor Shield	1
38	G030 4237	Screw Cover (230V)	2
101	0450 3010Z	Tapping Screw With Washer - M 3x10	
102	0450 3010B	Tapping Screw - M3x10	
103	0954 3008B	Philips Screw - M3x8	
104	0450 3008B	Tapping Screw - M3x8	
105	0450 3012B	Tapping Screw -3x12	

6.DRIVE SECTION (G032)



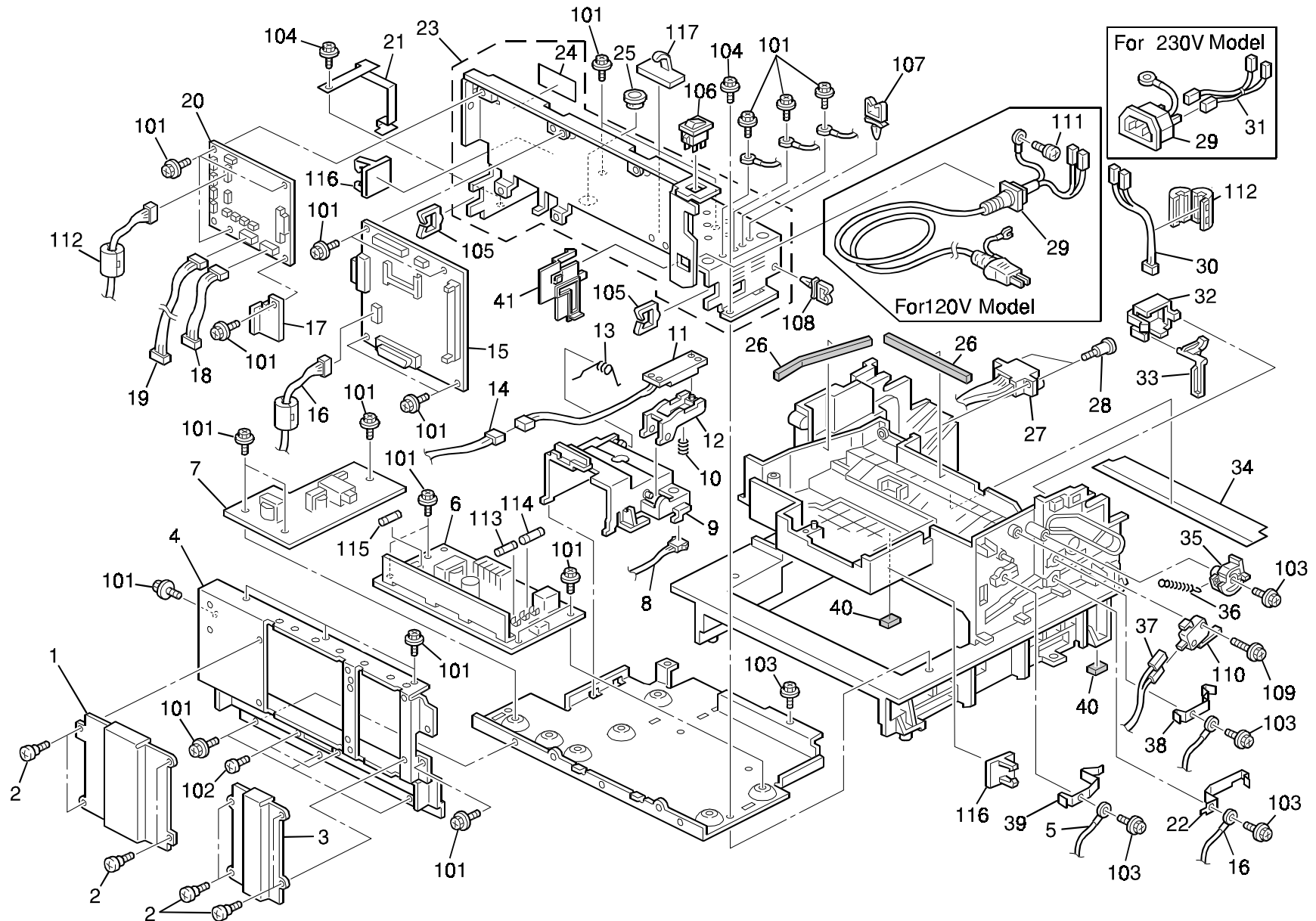
6.DRIVE SECTION (G032)

Index No.	Part No.	Description	Q'ty Per Assembly
1	G029 5501	Fam Moter - DC24V	1
2	G030 1057	Harness Guide Plate	1
3	G030 5404	Option Harness	1
4	G030 5502	Main Motor - 24V 12.7W 7W	1
5	G030 5431	Motor Control Harness	1
6	G030 1100	Side Plate	1
7	G029 1108	Gear - C4	1
8	G030 1109	Gear - A5	1
9	G029 1117	Gear - C2	1
10	G029 1105	Gear - C1	1
11	G029 1118	Gear - C3	1
12	G030 1114	Gear - A10	1
13	G030 1110	Gear - A6	1
14	G030 1111	Gear - A7	1
15	G030 1112	Gear - A8	1
16	G030 1113	Gear - A9	1

Index No.	Part No.	Description	Q'ty Per Assembly
101	0450 4035B	Philips Tapping Screw - M4x35	
102	0450 3012B	Tapping Screw -3x12	
103	0450 3008B	Tapping Screw - M3x8	
104	0452 4008B	Binding Self Tapping Screw - M4x8	



7.ELECTRICAL SECTION (G032)



7.ELECTRICAL SECTION (G032)

Index No.	Part No.	Description	Q'ty Per Assembly
1	G800 1175	Board Cover	1
2	G020 1392	Screw - M3X8	8
3	G030 1152	Control Board Cover	1
4	G030 1160	Cover - Electrical Compo	1
5	G030 5413	High Voltage Harness - C	1
6	GZ22 0001	Power Supply Unit - 120V	1
6	GZ22 0002	Power Supplu Unit - 230V	1
7	G030 5305	High Voltage Supply Board	1
8	G030 5401	Fst Harness	1
9	G030 1061	Power Pack Cover	1
10	G800 1217	Toner End Sensor Spring	1
11	G029 1064	Toner End Sensor	1
12	G029 1062	Toner End Sensor Holder	1
13	G030 2655	Release Spring	1
14	G029 5419	Toner End Sensor Harness	1
15	G032 5720	Main Control Board	1
16	G030 5415	High Voltage Harness - B	1
17	G030 1156	Shielding Plate	1
18	G030 5407	Power Suply Harness	1
19	G030 5406	DC Power Pack Harness	1
20	G030 5116	Engin Control Board - P4 120V	1
20	G030 5111	Engin Control Board - P4 230V	1
21	G030 1053	Grounding Plate	1
22	G029 1083	Grounding Plate	1
23	G030 1146	Bracket - A4	1
24	G029 1980	Decal - LD	1
25	G029 1154	Bushing - TB-1216	1
26	G030 1056	Shielding Sheet	2
27	G030 5402	Fusing Unit Harness	1
28	G029 4200	Drawer Screw	2
29	G029 5520	Power Supply Cord - 120V	1
29	G029 5524	Power Supply Cord - 230V	1
30	G029 5408	Main Switch Harness	1
31	G029 5412	Harness - Inlet 230V	1
32	G029 1087	Shielding Plate Holder	1

Index No.	Part No.	Description	Q'ty Per Assembly
33	G029 1086	Shielding Plate	1
34	G030 1055	Duct Sheet	1
35	G029 1085	Safety Switch Cam	1
36	G029 1088	Tension Spring	1
37	G029 5409	Safety Switch Harness	1
38	G029 1081	Grounding Plate - Drum	1
39	G029 1080	Grounding Plate - Charge	1
40	G030 1052	Rubber Foot	2
41	G030 1163	Shielding Plate	1
101	0451 3006B	Tapping Screw - M3x6	
102	0353 0060Z	Screw - M3X6	
103	0450 3008B	Tapping Screw - M3x8	
104	0451 3008B	Tapping Screw - M3x8	
105	1105 0352	Clamp	
106	1204 2477	Locker Switch - AC250V 10A	
107	1105 0201	Harness Clamp	
108	1105 0106	Wire Saddle	
109	0450 3016B	Tapping Screw - M3x16	
110	1204 2355	Micro Switch - AM51632A531	
111	0950 4010B	Sem,s Screw M4 x 10	
112	1607 0622	Ferrite Core TFC16816	
113	1107 0868	Fuse - 5A 125V	
113	1107 0877	Fuse - 3.15A 250V	
114	1107 0887	Fuse 250V 15A	
114	1107 0880	Fuse - 6.3A 250V	
115	1107 0868	Fuse - 5A 125V	
115	1107 0884	Fuse - 5A 250V	
116	1105 0368	Clump - MN-2	
117	1105 0109	Cord Keep	

8.MAINCONTROL BOARD (G032)

CAPACITOR

SYMBOL NO.	INDEX NO.	SYMBOL NO.	INDEX NO.	SYMBOL NO.	INDEX NO.	SYMBOL NO.	INDEX NO.	SYMBOL NO.	INDEX NO.	SYMBOL NO.	INDEX NO.	SYMBOL NO.	INDEX NO.
C1	147	C11	157	C21	154	C31	151	---	---	C51	157	C61	154
C2	146	C12	155	C22	154	C32	151	C42	154	C52	157	C62	154
C3	148	C13	146	C23	154	C33	157	C43	157	C53	157	C63	157
---	---	C14	147	C24	154	C34	157	C44	157	C54	154	C64	154
C5	153	C15	157	C25	154	C35	157	C45	157	C55	157	C65	154
C6	153	C16	157	C26	154	C36	157	C46	157	C56	154	C66	157
C7	148	C17	157	C27	154	C37	151	C47	157	C57	157	C67	154
C8	146	C18	157	C28	154	C38	126	C48	157	C58	154	C68	157
C9	157	C19	148	C29	155	C39	154	C49	157	C59	126	C69	154
C10	146	C20	147	C30	151	---	---	C50	157	C60	154	C70	157

CAPACITOR

SYMBOL NO.	INDEX NO.	SYMBOL NO.	INDEX NO.	SYMBOL NO.	INDEX NO.	SYMBOL NO.	INDEX NO.	SYMBOL NO.	INDEX NO.	SYMBOL NO.	INDEX NO.	SYMBOL NO.	INDEX NO.
C71	154	C81	127	C91	157	C101	156	C121	157	C131	154	C141	157
C72	157	C82	157	C92	157	C102	156	C122	157	C132	157	C142	157
C73	150	C83	157	C93	157	C103	157	C123	154	C133	157	C143	157
C74	152	C84	157	C94	157	C104	125	C124	157	C134	157	C144	154
C75	149	C85	154	C95	157	C105	156	C125	157	C135	157	C145	155
C76	151	C86	157	C96	157	C106	156	C126	157	C136	157	C146	156
C77	152	C87	157	C97	157	C107	154	C127	157	C137	157	C147	156
C78	149	C88	157	C98	157	C108	125	C128	157	C138	157	C148	156
C79	157	C89	157	C99	156	C109	157	C129	157	C139	157	C149	156
C80	157	C90	157	C100	156	---	---	C130	157	C140	157	C150	157

8.MAINCONTROL BOARD (G032)

CAPACITOR

SYMBOL NO.	INDEX NO.
C151	157
C152	157
C153	157
C154	157
C155	157
C156	157
C157	157
C158	157
C159	157
C160	157

SYMBOL NO.	INDEX NO.
C161	157
C162	157
C163	157
C164	157
C165	157
C166	157
C167	157
C168	157
C169	157
C170	157

CONNECTOR

SYMBOL NO.	INDEX NO.
CN1	104
CN2	102
CN3	103
CN4	107
CN5	105
CN6	101

DIODE

SYMBOL NO.	INDEX NO.
D1	109

DL

SYMBOL NO.	INDEX NO.
DL1	131

FILTER

SYMBOL NO.	INDEX NO.
FIL1	128
FIL2	130
FIL3	129
FIL4	130
FIL5	129
FIL6	129
FIL7	129
FIL8	129
FIL9	129

IC

SYMBOL NO.	INDEX NO.
IC1	116
IC2	158
IC3	158
IC4	117
IC5	1
IC7	118
IC9	115
(Socket)	106
IC10	118
IC11	2

SYMBOL NO.	INDEX NO.
IC13	113
IC14	114
IC15	111
IC17	119
IC18	110
IC21	112

JP

SYMBOL NO.	INDEX NO.
JP4	145
JP7	145
JP8	145
JP9	145
JP13	142

OSC

SYMBOL NO.	INDEX NO.
OSC1	3
OSC3	121

RESISTOR

SYMBOL NO.	INDEX NO.
---	---
R2	132
R3	141
R4	142
R5	141
R6	141
R7	141
R8	141
R9	142
R10	136

SYMBOL NO.	INDEX NO.
R19	133
R20	133
R21	133
R22	133
R23	136
R24	136
R25	136
R26	136
R27	136
R28	136

SYMBOL NO.	INDEX NO.
R29	136
R30	135
R31	135
R32	135
R33	135
R34	135
---	---
R36	135
R38	135
R40	135

SYMBOL NO.	INDEX NO.
R44	142
R45	142
R46	142
R55	142
R56	141
R57	143
R58	143
R61	134
R62	138
R63	138

SYMBOL NO.	INDEX NO.
---	---
---	---
R73	141
R74	141
R75	141
R76	134
R77	136
---	---
R79	136
R80	136

8.MAINCONTROL BOARD (G032)

RESISTOR

SYMBOL NO.	INDEX NO.
R81	136
---	---
---	---
R84	141
R85	141
R86	136
R87	136
R88	136
R89	136
R90	136

SYMBOL NO.	INDEX NO.
R91	136
R92	136
R93	136
R94	136
R95	136
R96	136
R97	136
R98	136
R99	136
R100	136

SYMBOL NO.	INDEX NO.
R101	136
R102	136
R103	136
R104	136
R105	136
R106	136
R107	136
R108	136
R109	136
R110	136

SYMBOL NO.	INDEX NO.
R111	136
R112	136
R113	136
R114	136
R115	136
R116	136
R117	136
R118	137
R119	139
---	---

SYMBOL NO.	INDEX NO.
R121	140
R122	142
R123	142
R124	142
R125	142
R126	142
R127	142
R128	142
R129	142
R130	144

SYMBOL NO.	INDEX NO.
R131	141
R132	141
R133	141
R134	136
R135	138
R136	141

REG

SYMBOL NO.	INDEX NO.
RGE1	120

RN

SYMBOL NO.	INDEX NO.
RN1	122
RN2	123
RN3	---
RN4	123
RN5	124
RN6	123
RN7	123
RN8	122
RN9	122
RN10	123

SYMBOL NO.	INDEX NO.
RN11	123
RN12	122
RN13	---
RN14	123
RN15	123
RN16	123
RN17	123
RN18	123
RN19	123
RN20	123

SYMBOL NO.	INDEX NO.
RN21	123
RN22	123

SW

SYMBOL NO.	INDEX NO.
SW2	108

8.MAINCONTROL BOARD (G032)

Index No.	Part No.	Description	Q'ty Per Assembly
*	G032 5720	Main Control Board	1
1	G031 5903	IC - ASIC ROCKY_W	1
2	G031 5941	IC - MSM27C1602CZ-NGS-K	1
3	G032 5903	Oscillator - Video Stinger-p4	1

Index No.	Part No.	Description	Q'ty Per Assembly
101	1102 5409	Connector - 20P	
102	1102 7358	Connector - 80P	
103	1102 7553	Connector SX1BA-72S-0.635SH	
104	1102 7920	Connector - 52831-2010	
105	1102 7989	Connector - TB01207-S2	
106	1104 0378	IC Socket - 24p - DICF-24CS-E	
107	1104 0739	Simm Socket 72P	
108	1204 2368	Dip Switch - DSS804	
109	1402 1343	Diode - RB106L-40	
110	1407 2052	TTLIC - SN74LS74ANS	
111	1407 2187	TTLIC - SN74LS07NS	
112	1407 2463	TTL IC SN74ALS08NS	
113	1407 3292	IC - TC74HCT244AF	
114	1407 4467	Cmosic - TC74HCT273AF	
115	1407 4997	IC - AT28C16E-15PC	
116	1407 5025	IC - UPD30210GB-133-MBB	
117	1407 5040	IC - SN74LVC161284DL	
118	1407 5093	IC - LH28F320S5NS-L90	
119	1408 0611	IC - 3771	
120	1408 1295	IC - UPC2933T	
121	1503 0878	Oscillator - 44.4Mhz	
122	1601 7803	Resistor - 47Ω ±5% 1/16W	
123	1601 7805	Resistor Array - 33 Ω ±5% 1/16W	
124	1601 7806	Resistor Array - 68Ω ±5% 1/16W	
125	1605 0453	Capacitor - 2200pF ±10%	
126	1605 0912	Capacitor - 0.082μF±10% 25V	
127	1605 0942	Capacitor - 0.22μF+80 -20% 50V	
128	1607 0882	Filter - ACB2012M-080	
129	1607 1030	IC - ACB1608L-120	
130	1607 1086	IC - HF70ACC201209	
131	1607 1127	IC - DS1000Z-20	
132	1630 3330	Resistor - 33 Ω ±5% 1/10W	
133	1630 3470	Resistor - 47Ω 1/10W ±5%	
134	1630 3519	Resistor - 5.1 Ω ±5% 1/10W	

9.ENGIN CONTROL BOARD (G032)

CAPACITOR

SYMBOL NO.	INDEX NO.	SYMBOL NO.	INDEX NO.	SYMBOL NO.	INDEX NO.	SYMBOL NO.	INDEX NO.	SYMBOL NO.	INDEX NO.	SYMBOL NO.	INDEX NO.		
C1	152	C11	148	C21	154	C31	152	C41	150	C51	154	C61	149
C2	151	C12	152	C22	152	C32	152	C42	154	C52	151	C62	154
C4	151	C13	151	C23	152	C33	154	C43	151	C53	151	C63	151
C3	---	C14	151	C24	154	C34	153	C44	151	C54	151	C64	151
C5	152	C15	151	C25	152	C35	154	C45	151	C55	151	C65	151
C6	152	C16	152	C26	154	C36	154	C46	---	C56	151	C66	152
C7	152	C17	149	C27	153	C37	154	C47	151	C57	151	C67	151
C8	147	C18	149	C28	154	C38	---	C48	151	C58	152	C68	150
C9	154	C19	149	C29	154	C39	154	C49	151	C59	152	C69	152
C10	147	C20	149	C30	150	C40	154	C50	151	C60	149	C70	152

CAPACITOR

SYMBOL NO.	INDEX NO.	SYMBOL NO.	INDEX NO.
C71	152	C81	154
C72	152	C82	154
C73	152	C83	152
C74	151	C84	152
C75	---	C85	---
C76	154	C86	152
C77	152	C87	151
C78	152	C88	151
C79	153	C89	152
C80	---	C90	---

CONNECTOR

SYMBOL NO.	INDEX NO.	SYMBOL NO.	INDEX NO.
C91	153	C96	151
C92	151		
C93	152		
C94	151		
C95	151		
CN1	115		
CN2	---		
CN3	107		
CN4	113		
CN5	102		
CN6	110		
CN7	105		
CN8	104		
CN9	108		
CN10	103		

DIODE

SYMBOL NO.	INDEX NO.
D1	119

FILTER

SYMBOL NO.	INDEX NO.
FIL1	132

DA

SYMBOL NO.	INDEX NO.
DA1	118
DA2	118
DA3	118
DA4	118

9.ENGIN CONTROL BOARD (G032)

IC

SYMBOL NO.	INDEX NO.
IC1	123
IC2	1
IC3	121
IC4	2
(Socket)	117
IC5	124
(Socket)	116
IC6	127
IC7	125
IC8	155

SYMBOL NO.	INDEX NO.
IC9	120
IC10	121
IC11	120

JP

SYMBOL NO.	INDEX NO.
JP5	143
JP6	(120V) 143
JP7	(230V) 143
JP8	143
JP10	143

OSC

SYMBOL NO.	INDEX NO.
OSC1	128

Q

SYMBOL NO.	INDEX NO.
Q1	122

RESISTOR

SYMBOL NO.	INDEX NO.
R1	141
R2	141
R3	146
R4	136
R5	130
R6	129
R7	129
---	---
---	---
---	---

SYMBOL NO.	INDEX NO.
---	---
---	---
---	---
---	---
R16	136
R17	136
R18	136
R19	136
R20	136

SYMBOL NO.	INDEX NO.
R21	136
R22	134
R23	137
R24	136
R25	136
R26	136
R27	136
R28	136
R29	136
R30	136

RESISTOR

SYMBOL NO.	INDEX NO.
R31	136
R32	136
R33	136
R34	136
R35	136
R36	136
R37	136
R38	136
R39	136
R40	136

SYMBOL NO.	INDEX NO.
R41	136
R42	136
R43	136
---	---
R45	136
R46	136
R47	136
---	---
R49	136
R50	136

SYMBOL NO.	INDEX NO.
R51	134
R52	136
R53	136
R54	136
R55	136
R56	136
R57	136
R58	136
R59	136
R60	136

SYMBOL NO.	INDEX NO.
R61	136
R62	136
R63	136
R64	136
R65	134
R66	134
R67	136
R68	134
R69	134
R70	134

SYMBOL NO.	INDEX NO.
R71	136
R72	136
R73	136
R74	136
R75	136
R76	136
R77	136
R78	136
---	---
---	---

SYMBOL NO.	INDEX NO.
---	---
---	---
---	---
R84	136
R85	136
R86	136
R87	136
R88	136
---	---
R90	133

SYMBOL NO.	INDEX NO.
R91	136
R92	138
R93	142
R94	145
R95	136
R96	136
R97	135
R98	136
R99	135
R100	136

9.ENGIN CONTROL BOARD (G032)

RESISTOR

SYMBOL NO.	INDEX NO.
R101	135
---	---
---	---
R104	136
R105	136
R106	136
R107	136
R108	136
R109	136
R110	136

SYMBOL NO.	INDEX NO.
R111	136
R112	136
R113	135
R114	136
R115	135
R116	136
R117	135
R118	136
R119	140
R120	144

SYMBOL NO.	INDEX NO.
R121	135
R122	136
R123	136
R124	135
R125	136
R126	135
R127	136
R128	135
R129	136
R130	135

SYMBOL NO.	INDEX NO.
R131	136
R132	135
R133	136
R134	135
R135	135
R136	135
R137	135
R138	136
R139	135
R140	136

SYMBOL NO.	INDEX NO.
R141	136
R142	136
R143	135
R144	136
R145	136
R146	135
R147	135
R148	135
R149	135
R150	135

SYMBOL NO.	INDEX NO.
R151	135
R152	135
R153	135
R154	135
R155	134
R156	134
R157	134
R158	134
R159	134
R160	139

SYMBOL NO.	INDEX NO.
R161	135

REG

SYMBOL NO.	INDEX NO.
REG1	126

RN

SYMBOL NO.	INDEX NO.
RN1	131
RN2	131
RN3	131
RN4	131
RN5	131
RN6	131

TB

SYMBOL NO.	INDEX NO.
TB1	112

9.ENGIN CONTROL BOARD (G032)

Index No.	Part No.	Description	Q'ty Per Assembly
*	G030 5116	Engin Control Board - P4 120V	1
*	G030 5111	Engin Control Board - P4 230V	1
1	G029 5190	IC - UPD65640G-J286-3EB	1
2	G030 5151	IC - UBEPROM 2M X8 100NS	1

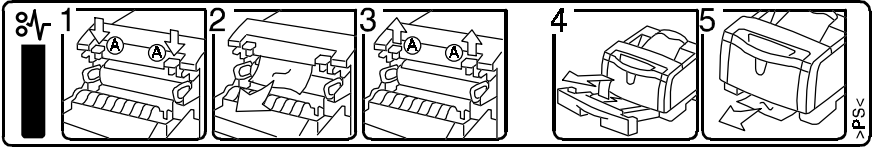
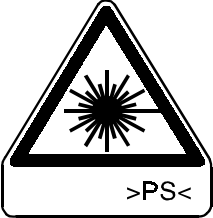
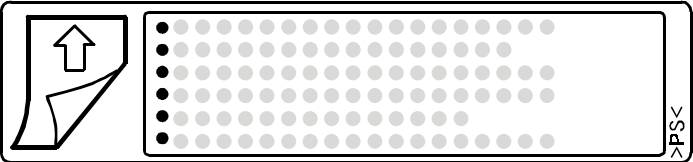


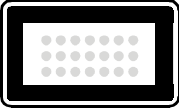
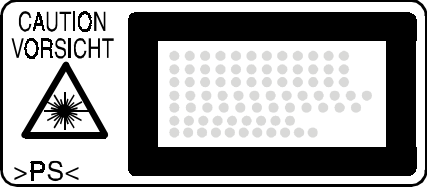
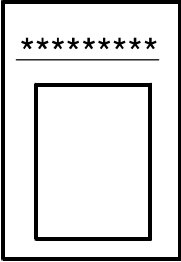
Index No.	Part No.	Description	Q'ty Per Assembly
101	1102 4201	Connector - 2P	
102	1102 4203	CT Header - 4P	
103	1102 4206	Connector - 7P	
104	1102 4207	Connector - 8P	
105	1102 4497	Connector - 13P	
106	1102 4619	Connector - 2P	
107	1102 4623	CT Connector - 6P	
108	1102 4625	CT Connector 8P	
109	1102 4631	CT Connector - 2P	
110	1102 4650	Connector - 9P	
111	1102 5305	Connector - 6P	
112	1102 5943	Connector - 2P	
113	1102 7052	Connector - 14P	
114	1102 6307	Connector - 14P	
115	1102 7529	Connector - 20P	
116	1104 0511	IC Socket - 8P - DICF-8CS-E	
117	1104 0589	Dip Socket - 32P	
118	1402 0478	Diode - 1SS226TE85L	
119	1402 1336	Diode - 1SS355	
120	1407 2187	TTLIC - SN74LS07NS	
121	1407 2218	TTLIC - SN74LS06NS	
122	1407 2219	IC - TD62003AP	
123	1407 3357	Comparator - BA10393F	
124	1407 4304	IC - EEPROM-BR93LC46A	
125	1407 4754	IC - HD6413002F16	
126	1408 1012	IC - L78050CV	
127	1408 1223	Ditector - Rn5vd42c	
128	1503 0233	Oscillator - 16MHZ	
129	1600 1552	Resistor - 47Ω ±5% 2W	
130	1601 5415	Resistor - 62 Ω ±5% 2W	
131	1601 7812	Resistor Array - 100 Ω ±5% 1/16W	
132	1602 7084	Filter - TU20M	
133	1630 2471	Resistor - 470Ω 1/8W ±5%	
134	1630 4101	Resistor - 100 Ω ±5% 1/16W	
135	1630 4102	Resistor - 1.0KΩ ±5% 1/16W	

Index No.	Part No.	Description	Q'ty Per Assembly
136	1630 4103	Resistor - 10K Ω \pm 5% 1/16W	
137	1630 4105	Resistor - 1.0M Ω \pm 5% 1/16W	
138	1630 4154	Resistor - 150k Ω \pm 5%, 1/16W	
139	1630 4221	Resistor - 220 Ω \pm 5% 1/16W	
140	1630 4222	Resistor - 2.2k Ω - \pm 5%	
141	1630 4223	Resistor - 22k Ω - \pm 5% - 1/16W	
142	1630 4333	Resistor - 33K Ω \pm 5% 1/16W	
143	1634 0000	Resistor - 0 Ω - 1/16W	
144	1634 1691	Resistor - 1.69K Ω \pm 1% 1/16W	
145	1634 2001	Resistor - 2.00K Ω \pm 1% 1/16W	
146	1634 3321	Resistor - 3.32K Ω \pm 1% 1/16W	
147	1640 5470	Capacitor - 47 μ F \pm 20% 50V	
148	1642 0101	Capacitor - 100 μ F \pm 20% 50V	
149	1660 2220	Capacitor - 22pF \pm 20% 35V	
150	1660 2331	Capacitor - 330pF \pm 5% 50V	
151	1660 4102	Capacitor - 1000pF \pm 10% 50V	
152	1660 4103	Capacitor - 10000pF - \pm 10% - 50V	
153	1660 7104	Capacitor - 100000pF 50V	
154	1660 8104	Capacitor - 0.1 μ F+80-20% 25V	
155	1902 0006	IC - SRAM 256KX8 70NS G1	

Index No.	Part No.	Description	Q'ty Per Assembly



10.DECAL AND DOCUMENT (G032)

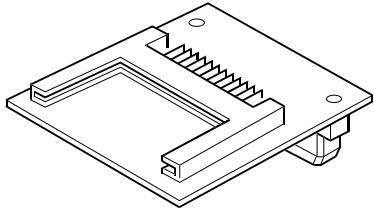
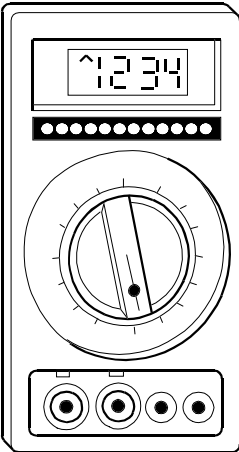
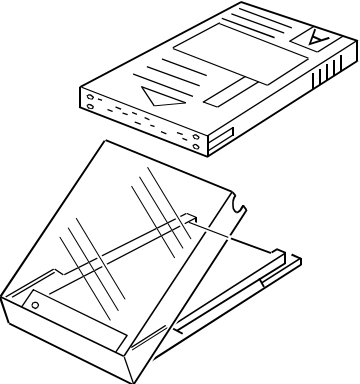
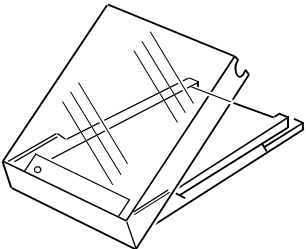
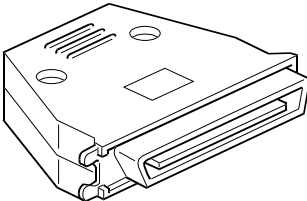
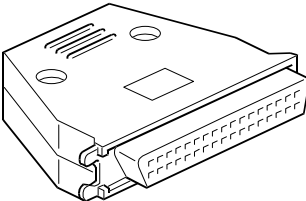
<p>1</p> 	<p>5</p> 
<p>2</p> 	<p>6</p> 
<p>3</p> 	<p>7</p> 
<p>4</p> 	<p>8</p> 

10.DECAL AND DOCUMENT (G032)


Index No.	Part No.	Description	Q'ty Per Assembly
1	G029 3862	Deca - Misfeed Removal	1
2	G029 1258	Decal - By-pass Feed	1
3	G029 4153	Deca - High Temperature	1
4	G029 1980	Decal - LD	1
5	G020 1917	Decal - LD	1
6	H516 4095	Decal - Energystar (120V)	1
7	G029 1983	Decal-laser Diode -Class1 - EU (230V)	1
8	G031 8607	Operating Instructions - LT English	1

Index No.	Part No.	Description	Q'ty Per Assembly

11.SPECIAL TOOLS (G032)

<p>1</p> 	<p>2</p> 	<p>3</p> 
<p>4</p> 	<p>5</p> 	<p>6</p> 

11.SPECIAL TOOLS (G032)

Index No.	Part No.	Description	Q'ty Per Assembly
1	G031 9350	IC Card Adapter P3/P4	1
2	A029 9387	Digital Multimeter - Fluke87	1
3	A230 9352	Flash Memory Card - 4mb	1
5	G021 9350	Loopback Connector - Parallel	1
6	G010 9351	Loopback Connector - RS232C	1
			

Index No.	Part No.	Description	Q'ty Per Assembly

PARTS INDEX

Part No.	Description	Page and Index No.
G032 5720	Main Control Board	15- 15
G032 5720	Main Control Board	19- *
G032 5903	Oscillator - Video Stinger-p4	19- 3

Part No.	Description	Page and Index No
AW02 0086	Photointerruptor	9- 3
AW02 0086	Photointerruptor	11- 11
G010 9351	Loopback Connector - RS232C	27- 6
G020 1392	Screw - M3X8	15- 2
G020 1917	Decal - LD	25- 5
G020 1917	Decal - LD	3- 14
G020 5439	Harness - Polygon Mirror Motor	3- 11
G021 9350	Loopback Connector - Parallel	27- 5
G025 2730	Cylindrical Lens	3- 18
G025 2731	Synchronizing Detector Lens	3- 19
G025 2732	F-Theta Lens	3- 16
G029 1062	Toner End Sensor Holder	15- 12
G029 1064	Toner End Sensor	15- 11
G029 1070	Drum Shutter Arm	7- 11
G029 1080	Grounding Plate - Charge	15- 39
G029 1081	Grounding Plate - Drum	15- 38
G029 1083	Grounding Plate	15- 22
G029 1085	Safety Switch Cam	15- 35
G029 1086	Shielding Plate	15- 33
G029 1087	Shielding Plate Holder	15- 32
G029 1088	Tension Spring	15- 36
G029 1091	Left Fusing Lever	3- 2
G029 1092	Right Fusing Lever	3- 3
G029 1105	Gear - C1	13- 10
G029 1108	Gear - C4	13- 7
G029 1117	Gear - C2	13- 9
G029 1118	Gear - C3	13- 11
G029 1154	Bushing - TB-1216	15- 25
G029 1258	Decal - By-pass Feed	25- 2
G029 1980	Decal - LD	25- 4
G029 1980	Decal - LD	15- 24
G029 1983	Decal-laser Diode -Class1 - EU (230V)	25- 7
G029 2608	Base Pad	5- 4
G029 3854	Compression Spring	7- 23
G029 3858	Shutter Spring	7- 24

Part No.	Description	Page and Index No.
G029 3859	Release Plate	7- 27
G029 3861	Release Spring	7- 26
G029 3862	Deca - Misfeed Removal	25- 1
G029 3862	Deca - Misfeed Removal	7- 20
G029 3864	Discharge Brush Terminal	7- 13
G029 3867	Shutter Cushion	7- 33
G029 4131	Idler Gear - Fusing	11- 35
G029 4132	Idler Gear - Exit	11- 10
G029 4135	Pressure Roller Lever	11- 5
G029 4136	Right Release Lever	11- 9
G029 4137	Left Release Lever	11- 4
G029 4139	Heater Holder	11- 25
G029 4140	External Circlip	11- 17
G029 4143	Pickoff Pawl Spring	11- 20
G029 4145	Bracket - Idler Ass'y	11- 1
G029 4149	Right Support Plate	11- 27
G029 4153	Deca - High Temperature	11- 2
G029 4153	Deca - High Temperature	25- 3
G029 4154	Thermistor Shield	11- 37
G029 4159	Screw - M3x13	11- 36
G029 4161	Thermofuse - 169°C	11- 23
G029 4171	Hot Roller Gear	11- 16
G029 4172	Hot Roller Bushing	11- 22
G029 4174	Pressure Roller Bushing	11- 7
G029 4175	Stripper Pawls	11- 21
G029 4181	Exit Roller	11- 29
G029 4200	Drawer Screw	15- 28
G029 5190	IC - UPD65640G-J286-3EB	23- 1
G029 5408	Main Switch Harness	15- 30
G029 5409	Safety Switch Harness	15- 37
G029 5412	Harness - Inlet 230V	15- 31
G029 5418	Discharge Harness	7- 14
G029 5419	Toner End Sensor Harness	15- 14
G029 5501	Fam Moter - DC24V	13- 1
G029 5520	Power Supply Cord - 120V	15- 29

Part No.	Description	Page and Index No.
G029 5524	Power Supply Cord - 230V	15- 29
G030 1012	Left Lock Lever Ass'y	7- 10
G030 1013	Right Lock Lever Ass'y	7- 28
G030 1052	Rubber Foot	15- 40
G030 1053	Grounding Plate	15- 21
G030 1054	Grounding Plate	9- 13
G030 1055	Duct Sheet	15- 34
G030 1056	Shielding Sheet	15- 26
G030 1057	Harness Guide Plate	13- 2
G030 1061	Power Pack Cover	15- 9
G030 1100	Side Plate	13- 6
G030 1109	Gear - A5	13- 8
G030 1110	Gear - A6	13- 13
G030 1111	Gear - A7	13- 14
G030 1112	Gear - A8	13- 15
G030 1113	Gear - A9	13- 16
G030 1114	Gear - A10	13- 12
G030 1146	Bracket - A4	15- 23
G030 1152	Control Board Cover	15- 3
G030 1156	Shielding Plate	15- 17
G030 1160	Cover - Electrical Compo	15- 4
G030 1163	Shielding Plate	15- 41
G030 1250	Front Cover	7- 31
G030 1253	Left Harness Cover	7- 12
G030 1254	Right Harness Cover	7- 29
G030 1255	Control Panel Sheet	7- 30
G030 1261	Left Cover - LT	3- 1
G030 1262	Right Cover - LT	3- 4
G030 1270	Fusing Cover	11- 3
G030 1290	Upper Cover (A4)	3- 5
G030 1291	Left Cover - A4	3- 1
G030 1292	Right Cover - A4	3- 4
G030 1390	Upper Cover - LT	3- 5
G030 1393	Support Tray	3- 15
G030 1417	Control Panel - LT	7- 9

Part No.	Description	Page and Index No.
G030 1427	Control Panel - A4	7- 9
G030 1913	LD Unit	3- 8
G030 1921	Polygon Scanner	3- 10
G030 1931	Shield Glass	3- 17
G030 1941	Optical Housing Cover	3- 13
G030 1943	Grounding Plate	3- 12
G030 1944	Shutter	3- 9
G030 1950	Sponge	3- 20
G030 1990	Optical Unit	3- 7
G030 2550	Paper Cassette Ass'y	5- 1
G030 2560	Paper Cassette	5- 9
G030 2561	Right Cushion	5- 14
G030 2562	Left Cushion	5- 15
G030 2563	Cassette Mylar	5- 17
G030 2567	Cassette Stopper Plate	5- 5
G030 2568	Spring Plate	5- 10
G030 2569	Stopper Base Plate	5- 13
G030 2570	Base Plate Ass'y	5- 3
G030 2572	Side Fence Ass'y	5- 2
G030 2575	Friction Pad Ass'y	5- 7
G030 2579	Spring Plate	5- 16
G030 2580	By-pass Feed Unit	7- 1
G030 2590	Bottom Plate - By-pass Feed	7- 4
G030 2592	Side Fence - By-pass Feed	7- 2
G030 2593	By-pass Feed Cover	7- 7
G030 2595	Paper Stopper - By-pass Feed	7- 3
G030 2596	Paper Stopper	5- 18
G030 2596	Paper Stopper	7- 34
G030 2597	Base Pad	7- 5
G030 2598	Side Fence Mylar	7- 32
G030 2602	Paper Feed Roller - Cassette	9- 34
G030 2605	Paper Feed Roller - By-pass Feed	9- 33
G030 2608	Transport Roller	9- 10
G030 2610	Paper Feed Gear - Cassette	9- 15
G030 2612	Paper Feed Gear - By-pass Feed	9- 25

Part No.	Description	Page and Index No.
G030 2613	Cam Gear - By-pass Feed	9- 26
G030 2616	Pressure Release Cam	9- 14
G030 2617	Transport Roller Gear	9- 18
G030 2618	Transport Roller Shaft	9- 19
G030 2619	Paper Feed Roller Shaft	9- 17
G030 2622	Transport Guide	9- 1
G030 2623	Transport Guide Mylar	9- 7
G030 2624	Upper Roller Holder	9- 6
G030 2627	Lower Roller Holder	9- 11
G030 2629	Mylar - 10x18	9- 42
G030 2631	Registration Sensor Feeler	9- 4
G030 2632	By-pass Feed Sensor Feeler	9- 9
G030 2635	Friction Pad - By-pass Feed	9- 31
G030 2637	Mylar - 9x25	9- 41
G030 2639	Entrance Guide Mylar	9- 8
G030 2641	Spring Plate - Transport Roller	9- 29
G030 2647	Guide Film	9- 35
G030 2651	Cassette Spring	5- 12
G030 2652	By-pass Feed Spring	7- 6
G030 2653	Upper Spring	9- 5
G030 2654	Lower Spring	9- 12
G030 2655	Release Spring	15- 13
G030 2656	Gear Spring	9- 24
G030 2657	Cam Spring	9- 23
G030 2659	Separation Spring	9- 30
G030 2660	Compression Spring	5- 8
G030 2661	Left Cassette Spring	5- 6
G030 2662	Surface Of Paper Sensor	9- 28
G030 2665	Arm - By-pass Feed	9- 22
G030 2666	Turn Guide	9- 36
G030 2671	Balancer - Friction Pad	9- 40
G030 2672	By-pass Feed Cam	9- 32
G030 2678	Left Transfer Feed Guide	9- 37
G030 2679	Paper Feed Guide	9- 38
G030 2682	Grounding Plate	9- 39

Part No.	Description	Page and Index No.
G030 3850	Transfer Roller	7- 21
G030 3857	Transfer Roller Shutter	7- 25
G030 3858	Pressure Spring	7- 18
G030 3863	Discharge Brush	7- 15
G030 3865	Gear - 30Z	7- 16
G030 3866	Positioning Roller	7- 22
G030 4201	Fusing Unit Frame	11- 26
G030 4205	Pressure Frame	11- 8
G030 4210	Hot Roller	11- 15
G030 4220	Pressure Roller	11- 13
G030 4235	Harness Guide Plate	11- 33
G030 4236	Spring Plate	11- 32
G030 4237	Screw Cover (230V)	11- 38
G030 4241	Grounding Plate	11- 24
G030 4242	Spring	11- 6
G030 4273	Hot Roller Bushing	11- 19
G030 4280	Exit Roller	11- 14
G030 4283	Spring Plate	11- 30
G030 4284	Spring Plate	11- 31
G030 4288	Paper Feed Sensor Feeler	11- 12
G030 4291	Fusing Lamp - 120V 500W	11- 18
G030 4292	Fusing Lamp - 230V 500W	11- 18
G030 4296	Thermistor Ass'y - 120V	11- 34
G030 4297	Thermistor Ass'y - 230V	11- 34
G030 5111	Engin Control Board - P4 230V	15- 20
G030 5111	Engin Control Board - P4 230V	23- *
G030 5116	Engin Control Board - P4 120V	23- *
G030 5116	Engin Control Board - P4 120V	15- 20
G030 5151	IC - UBEPROM 2M X8 100NS	23- 2
G030 5305	High Voltage Supply Board	15- 7
G030 5400	Registration Sensor Harness	9- 2
G030 5401	Fst Harness	15- 8
G030 5402	Fusing Unit Harness	15- 27
G030 5404	Option Harness	13- 3
G030 5406	DC Power Pack Harness	15- 19

Part No.	Description	Page and Index No
G030 5407	Power Suply Harness	15- 18
G030 5413	High Voltage Harness - C	15- 5
G030 5414	High Voltage Harness - T	7- 17
G030 5415	High Voltage Harness - B	15- 16
G030 5419	Fst Connectiong Harness	9- 27
G030 5430	Optical Control Harness	3- 6
G030 5431	Motor Control Harness	13- 5
G030 5502	Main Motor - 24V 12.7W 7W	13- 4
G030 5510	DC Solenoid	9- 20
G030 5511	DC Solenoid	9- 21
G031 1920	Operation Panel Harness	7- 8
G031 5903	IC - ASIC ROCKY_W	19- 1
G031 5941	IC - MSM27C1602CZ-NGS-K	19- 2
G031 8607	Operating Instructions - LT English	25- 8
G031 9350	IC Card Adapter P3/P4	27- 1
G032 5720	Main Control Board	19- *
G032 5720	Main Control Board	15- 15
G032 5903	Oscillator - Video Stinger-p4	19- 3
G800 1175	Board Cover	15- 1
G800 1217	Toner End Sensor Spring	15- 10
G800 3129	Cassette Arm	5- 11
G800 4854	Exit Roller	11- 28
GZ22 0001	Power Supply Unit - 120V	15- 6
GZ22 0002	Power Supplu Unit - 230V	15- 6
H515 2455	Holder - Transfer Roller - Left	7- 19
H516 4095	Decal - Energystar (120V)	25- 6
H521 3355	C Ring - Paper Feed Roller	9- 16

Part No.	Description	Page and Index No.
A029 9387	Digital Multimeter - Fluke87	27- 2
A230 9352	Flash Memory Card - 4mb	27- 3

Part No.	Description	Page and Index No
0353 0060Z	Screw - M3X6	15-102
0450 3008B	Tapping Screw - M3x8	11-104
0450 3008B	Tapping Screw - M3x8	15-103
0450 3008B	Tapping Screw - M3x8	3-103
0450 3008B	Tapping Screw - M3x8	5-101
0450 3008B	Tapping Screw - M3x8	13-103
0450 3008B	Tapping Screw - M3x8	7-102
0450 3008B	Tapping Screw - M3x8	9-101
0450 3010B	Tapping Screw - M3x10	11-102
0450 3010Z	Tapping Screw With Washer - M 3x10	11-101
0450 3012B	Tapping Screw -3x12	13-102
0450 3012B	Tapping Screw -3x12	11-105
0450 3016B	Tapping Screw - M3x16	15-109
0450 4035B	Philips Tapping Screw - M4x35	13-101
0451 3006B	Tapping Screw - M3x6	15-101
0451 3008B	Tapping Screw - M3x8	3-101
0451 3008B	Tapping Screw - M3x8	15-104
0452 3008B	Tapping Screw - M3x8	9-102
0452 3008B	Tapping Screw - M3x8	3-104
0452 3010B	Tapping Bind Screw - M3x10	3-102
0452 4008B	Binding Self Tapping Screw - M4x8	13-104
0950 4010B	Sem,s Screw M4 x 10	15-111
0954 3008B	Philips Screw - M3x8	11-103
1102 4201	Connector - 2P	23-101
1102 4203	CT Header - 4P	23-102
1102 4206	Connector - 7P	23-103
1102 4207	Connector - 8P	23-104
1102 4497	Connector - 13P	23-105
1102 4619	Connector - 2P	23-106
1102 4623	CT Connector - 6P	23-107
1102 4625	CT Connector 8P	23-108
1102 4631	CT Connector - 2P	23-109
1102 4650	Connector - 9P	23-110
1102 5305	Connector - 6P	23-111
1102 5409	Connector - 20P	19-101

Part No.	Description	Page and Index No.
1102 5943	Connector - 2P	23-112
1102 6307	Connector - 14P	23-114
1102 7052	Connector - 14P	23-113
1102 7358	Connector - 80P	19-102
1102 7529	Connector - 20P	23-115
1102 7553	Connector SX1BA-72S-0.635SH	19-103
1102 7920	Connector - 52831-2010	19-104
1102 7989	Connector - TB01207-S2	19-105
1104 0378	IC Socket - 24p - DICF-24CS-E	19-106
1104 0511	IC Socket - 8P - DICF-8CS-E	23-116
1104 0589	Dip Socket - 32P	23-117
1104 0739	Simm Socket 72P	19-107
1105 0106	Wire Saddle	15-108
1105 0109	Cord Keep	15-117
1105 0109	Cord Keep	7-101
1105 0201	Harness Clamp	15-107
1105 0352	Clamp	15-105
1105 0368	Clump - MN-2	15-116
1107 0868	Fuse - 5A 125V	15-113
1107 0868	Fuse - 5A 125V	15-115
1107 0877	Fuse - 3.15A 250V	15-113
1107 0880	Fuse - 6.3A 250V	15-114
1107 0884	Fuse - 5A 250V	15-115
1107 0887	Fuse 250V 15A	15-114
1204 2355	Micro Switch - AM51632A531	15-110
1204 2368	Dip Switch - DSS804	19-108
1204 2477	Locker Switch - AC250V 10A	15-106
1402 0478	Diode - 1SS226TE85L	23-118
1402 1336	Diode - 1SS355	23-119
1402 1343	Diode - RB106L-40	19-109
1407 2052	TTLIC - SN74LS74ANS	19-110
1407 2187	TTLIC - SN74LS07NS	19-111
1407 2187	TTLIC - SN74LS07NS	23-120
1407 2218	TTLIC - SN74LS06NS	23-121
1407 2219	IC - TD62003AP	23-122

Part No.	Description	Page and Index No.
1407 2463	TTL IC SN74ALS08NS	19-112
1407 3292	IC - TC74HCT244AF	19-113
1407 3357	Comparator - BA10393F	23-123
1407 4304	IC - EEPROM-BR93LC46A	23-124
1407 4467	Cmosic - TC74HCT273AF	19-114
1407 4754	IC - HD6413002F16	23-125
1407 4997	IC - AT28C16E-15PC	19-115
1407 5025	IC - UPD30210GB-133-MBB	19-116
1407 5040	IC - SN74LVC161284DL	19-117
1407 5093	IC - LH28F320S5NS-L90	19-118
1408 0611	IC - 3771	19-119
1408 1012	IC - L78050CV	23-126
1408 1223	Ditector - Rn5vd42c	23-127
1408 1295	IC - UPC2933T	19-120
1503 0233	Oscillator - 16MHZ	23-128
1503 0878	Oscillator - 44.4Mhz	19-121
1600 1552	Resistor - 47Ω ±5% 2W	23-129
1601 5415	Resistor - 62 Ω ±5% 2W	23-130
1601 7803	Resistor - 47Ω ±5% 1/16W	19-122
1601 7805	Resistor Array - 33 Ω ±5% 1/16W	19-123
1601 7806	Resistor Array - 68Ω ±5% 1/16W	19-124
1601 7812	Resistor Array - 100 Ω ±5% 1/16W	23-131
1602 7084	Filter - TU20M	23-132
1605 0453	Capacitor - 2200pF ±10%	19-125
1605 0912	Capacitor - 0.082μF ±10% 25V	19-126
1605 0942	Capacitor - 0.22μF +80 -20% 50V	19-127
1607 0622	Ferrite Core TFC161816 (230V)	7-103
1607 0622	Ferrite Core TFC16816	15-112
1607 0882	Filter - ACB2012M-080	19-128
1607 1030	IC - ACB1608L-120	19-129
1607 1086	IC - HF70ACC201209	19-130
1607 1127	IC - DS1000Z-20	19-131
1630 2471	Resistor - 470Ω 1/8W ±5%	23-133
1630 3330	Resistor - 33 Ω ±5% 1/10W	19-132

Part No.	Description	Page and Index No.
1630 3470	Resistor - 47Ω 1/10W ±5%	19-133
1630 3519	Resistor - 5.1 Ω ±5% 1/10W	19-134
1630 4101	Resistor - 100 Ω ±5% 1/16W	23-134
1630 4102	Resistor - 1.0KΩ ±5% 1/16W	19-135
1630 4102	Resistor - 1.0KΩ ±5% 1/16W	23-135
1630 4103	Resistor - 10KΩ ±5% 1/16W	19-136
1630 4103	Resistor - 10KΩ ±5% 1/16W	23-136
1630 4104	Resistor - 100 Ω ±5% 1/16W	19-137
1630 4105	Resistor - 1.0MΩ ±5% 1/16W	23-137
1630 4122	Resistor - 1.2K Ω 5% 1/16W	19-138
1630 4124	Resistor - 120K Ω ±5%1/16W	19-139
1630 4154	Resistor - 150kΩ ±5%,1/16W	23-138
1630 4221	Resistor - 220 Ω ±5% 1/16W	23-139
1630 4222	Resistor - 2.2k Ω - ±5%	23-140
1630 4222	Resistor - 2.2k Ω - ±5%	19-140
1630 4223	Resistor - 22k Ω - ±5% - 1/16W	23-141
1630 4330	Resistor - 33 Ω ±5% 1/8W	19-141
1630 4333	Resistor - 33K Ω ±5% 1/16W	23-142
1630 4470	Resistor - 470 Ω ±5% 1/16W	19-142
1630 4519	Resistor - 5.1Ω ±5% 1/16W	19-143
1630 4680	Resistor - 68 Ω ±5% 1/16W	19-144
1634 0000	Resistor - 0Ω - 1/16W	23-143
1634 0000	Resistor - 0Ω - 1/16W	19-145
1634 1691	Resistor - 1.69KΩ ±1% 1/16W	23-144
1634 2001	Resistor - 2.00K Ω ±1% 1/16W	23-145
1634 3321	Resistor - 3.32KΩ ±1% 1/16W	23-146
1640 5470	Capacitor - 47μF ±20% 50V	23-147
1642 0101	Capacitor - 100μF ±20% 50V	19-146
1642 0101	Capacitor - 100μF ±20% 50V	23-148
1642 2470	Capacitor - 47μF ±20% 25V	19-147
1643 2100	Capacitor - 10μF ±20%	19-148
1660 2220	Capacitor - 22pF ±20% 35V	23-149
1660 2331	Capacitor - 330pF ±5% 50V	23-150

Part No.	Description	Page and Index No.
1660 3101	Capacitor - 100pF 50V	19-149
1660 3151	Capacitor - 150pF ±5% 50V	19-150
1660 3221	Capacitor - 220pF ±5% 50V	19-151
1660 3330	Capacitor - 33pF ±5% 50V	19-152
1660 3680	Capacitor	19-153
1660 4102	Capacitor - 1000pF ±10% 50V	23-151
1660 4103	Capacitor - 10000pF - ±10% - 50V	23-152
1660 5102	Capacitor - 1000pF ±10% 50V	19-154
1660 5103	Capacitor - 10000pF ±10% 50V	19-155
1660 7104	Capacitor - 100000pF 50V	23-153
1660 8104	Capacitor - 0.1μF +80-20% 25V	19-156
1660 8104	Capacitor - 0.1μF +80-20% 25V	23-154
1660 9104	C - 0.1μF 25V	19-157
1902 0006	IC - SRAM 256KX8 70NS G1	23-155
1903 1008	IC - 16M 1MX16 60NS EDO G5	19-158